

MODEL : MB-373NS/MB-377NS

List No : 1327-02

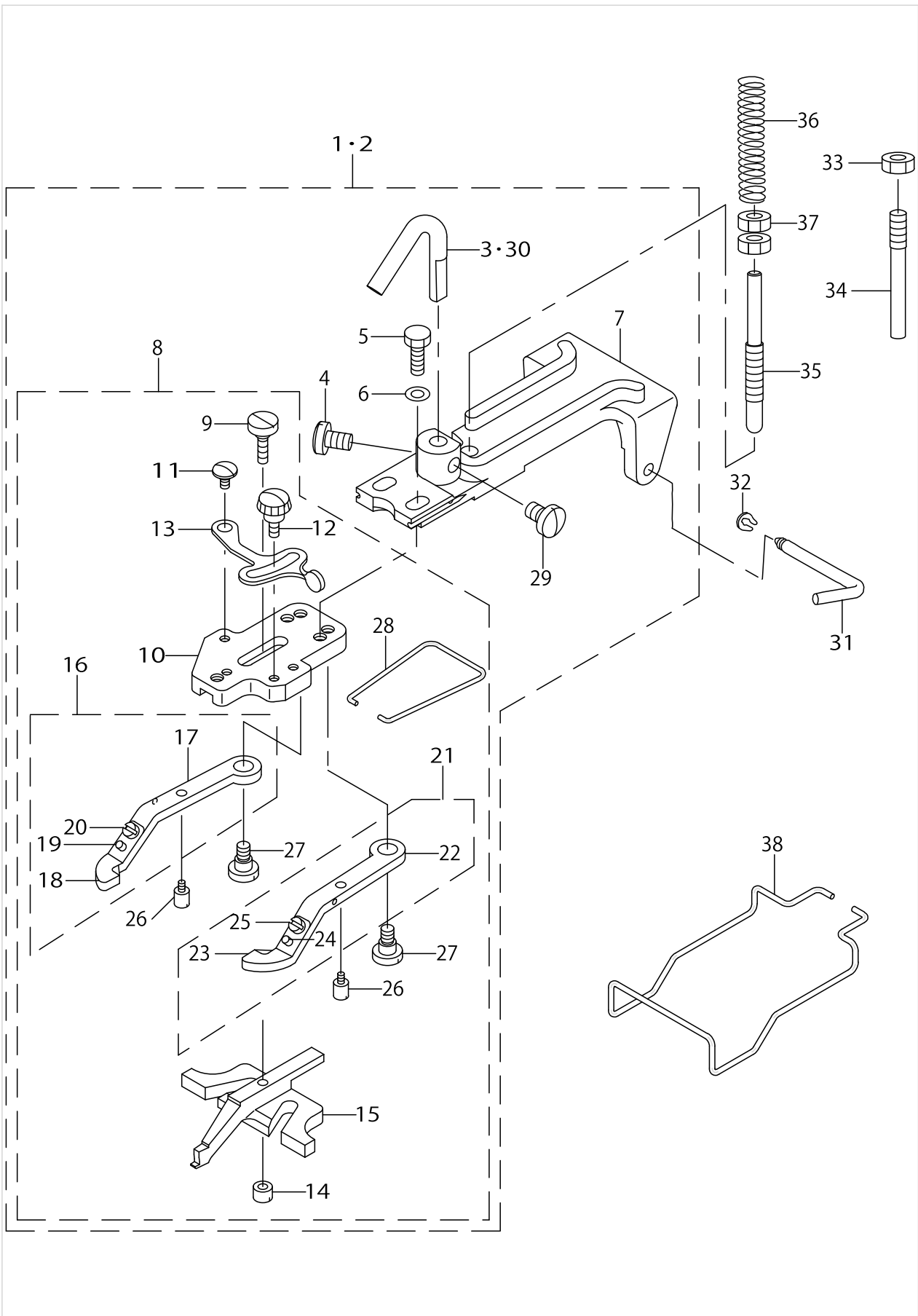
PARTS LIST

Published:09/10/2017

CONTENTS

BUTTON CLAMP MECHANISM COMPONENTS	1
ARM & MISCELLANEOUS COVERS COMPONENTS.....	3
LOOPER SHAFT MECHANISM COMPONENTS	7
NIPPER & THREAD TENSION PARTS COMPONENTS	11
FEED PLATE COMPONENTS	15
BUTTON CLAMP LIFTER COMPONENTS.....	17
NEEDLE DRIVING PULLEY SHAFT COMPONENTS	21
NEEDLE BAR DRIVING MECHANISM COMPONENTS.....	23
STOP MOTION MECAHNISM COMPONENTS	25
STITCH SELECTING PARTS COMPONENTS	27
THREAD BIND NOTCH COMPONENTS (FOR MB-377NS).....	29
THREAD STAND COMPONENTS.....	31
TABLE & STAND COMPONENTS.....	33
ACCESSORIE PARTS COMPONENTS	35
SPECIAL ORDER SPEC COMPONENTS.....	37
SUBCLASS COMPONENTS	39
LIST FOR INFORMATION OF CHANGE (1).....	41
LIST FOR INFORMATION OF CHANGE (2).....	42
LIST FOR INFORMATION OF CHANGE (3).....	43
HOW TO MAKE USE OF THIS PARTS LIST	44

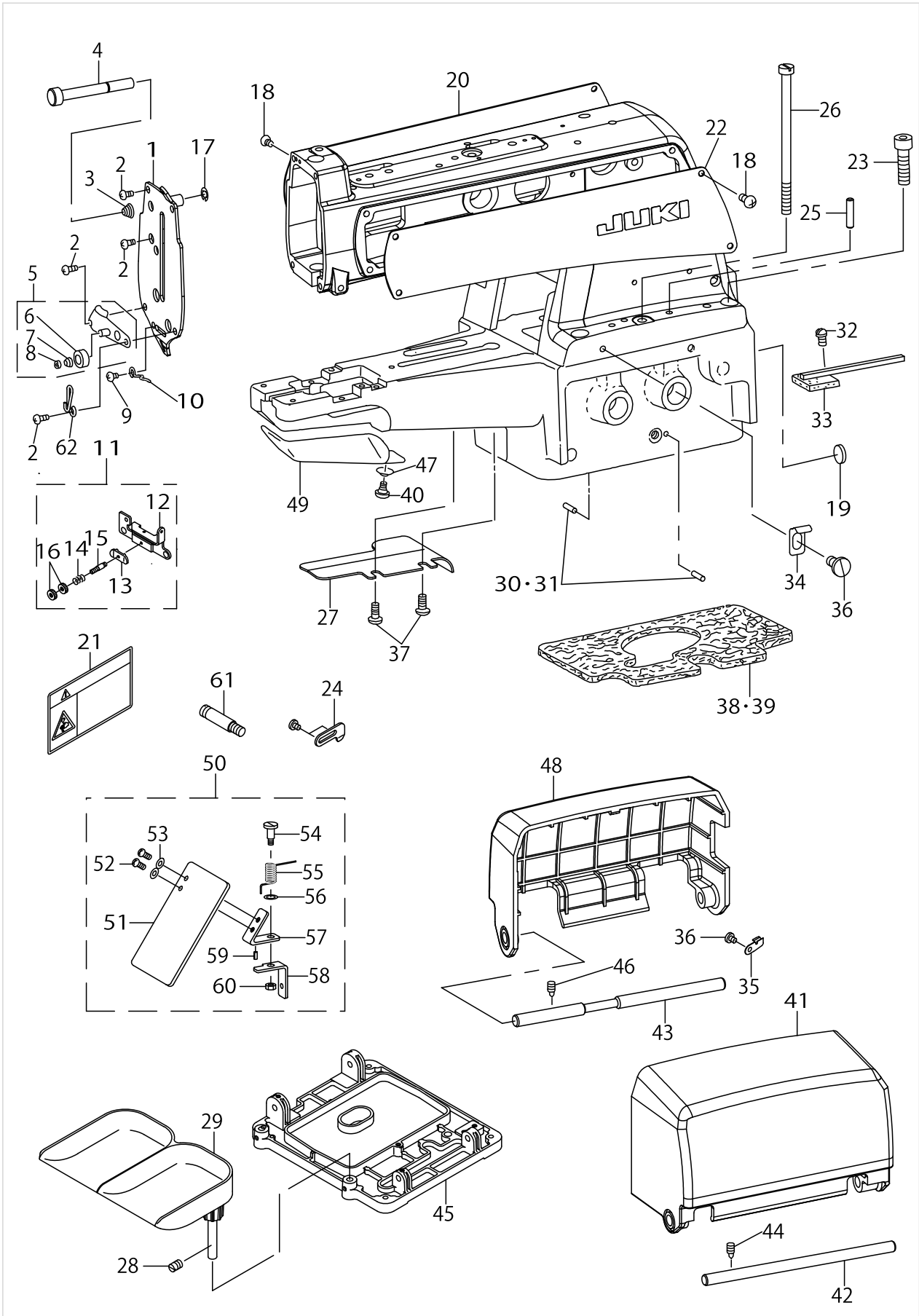
BUTTON CLAMP MECHANISM COMPONENTS



BUTTON CLAMP MECHANISM COMPONENTS

No.	Parts No.	Parts name	Remarks	Level	Cons	Qty
1	26025452	FLAT BUTTON CLAMP ASM.	FOR MB-373NS			1
2	26026856	PICK-UP DEVICE ASM.	FOR MB-377NS			1
3	26025601	BUTTON CLAMP LIFTING ROD	FOR MB-373NS	*		1
4	SS7150940SP	SCREW 15/64-28 L=9		*		1
5	SS9621413SP	SCREW 3/16-32 L=13.5		*		2
6	WP0501016SD	WASHER 5X10.5X1		*		2
7	26025502	BUTTON CLAMP HOLDER		*		1
8	B25473720C0	JAW LEVER HOLDER ASM.		*		1
9	SD0550301SP	HINGE SCREW D=5.5 H=3		*		1
10	26025403	JAW LEVER HOLDER		*		1
11	SD0550181SP	HINGE SCREW D= 5.50 H= 1.8		*		1
12	26025809	CLAMP SCREW A		*		1
13	26025700	SNAP FASTENER CLAMP STOP LEVER		*		1
14	26026005	NUT		*		1
15	26025908	BUTTON CLAMP SLIDE		*		1
16	B25553720A0	BUTTON CLAMP LEVER JAW, LEFT A		*		1
17	26026104	BUTTON CLAMP LEVER JAW (LEFT)		*		1
18	26026203	BUTTON HOLDING SPRING, LEFT		*		1
19	B2559372000	BUTTON CLAMP LOCATING PIN		*		1
20	SS7090410SP	SCREW 9/64-40 L= 3.5		*		1
21	B25573720A0	BUTTON CLAMP LEVER JAW, RIGHT		*		1
22	26026302	BUTTON CLAMP LEVER JAW RIGHT		*		1
23	26026401	BUTTON HOLDING SPRING, RIGHT		*		1
24	B2559372000	BUTTON CLAMP LOCATING PIN		*		1
25	SS7090410SP	SCREW 9/64-40 L= 3.5		*		1
26	26026609	BUTTON CLAMP STOP PIN		*		2
27	SD0640391TP	HINGE SCREW D= 6.35 H= 3.9		*		2
28	26026708	BUTTON CLAMP SPRING		*		1
29	SS7150940SP	SCREW 15/64-28 L=9		*		1
30	26026807	PICK-UP DEVICE LIFTING HOOK	FOR MB-377NS	*		1
31	26025205	HINGE PIN				1
32	B2541372000	SNAP RING				1
33	NS6150430SP	NUT 15/64-28				1
34	26026906	PICK-UP DEVICE STOPPER PIN				1
35	26027003	BUTTON CLAMP PRESSER ADJUSTIN				1
36	26027102	PRESSURE ADJUSTING SPRING				1
37	NS6660511SP	NUT 1/4				2
38	26027409	FINGER GUARD				1

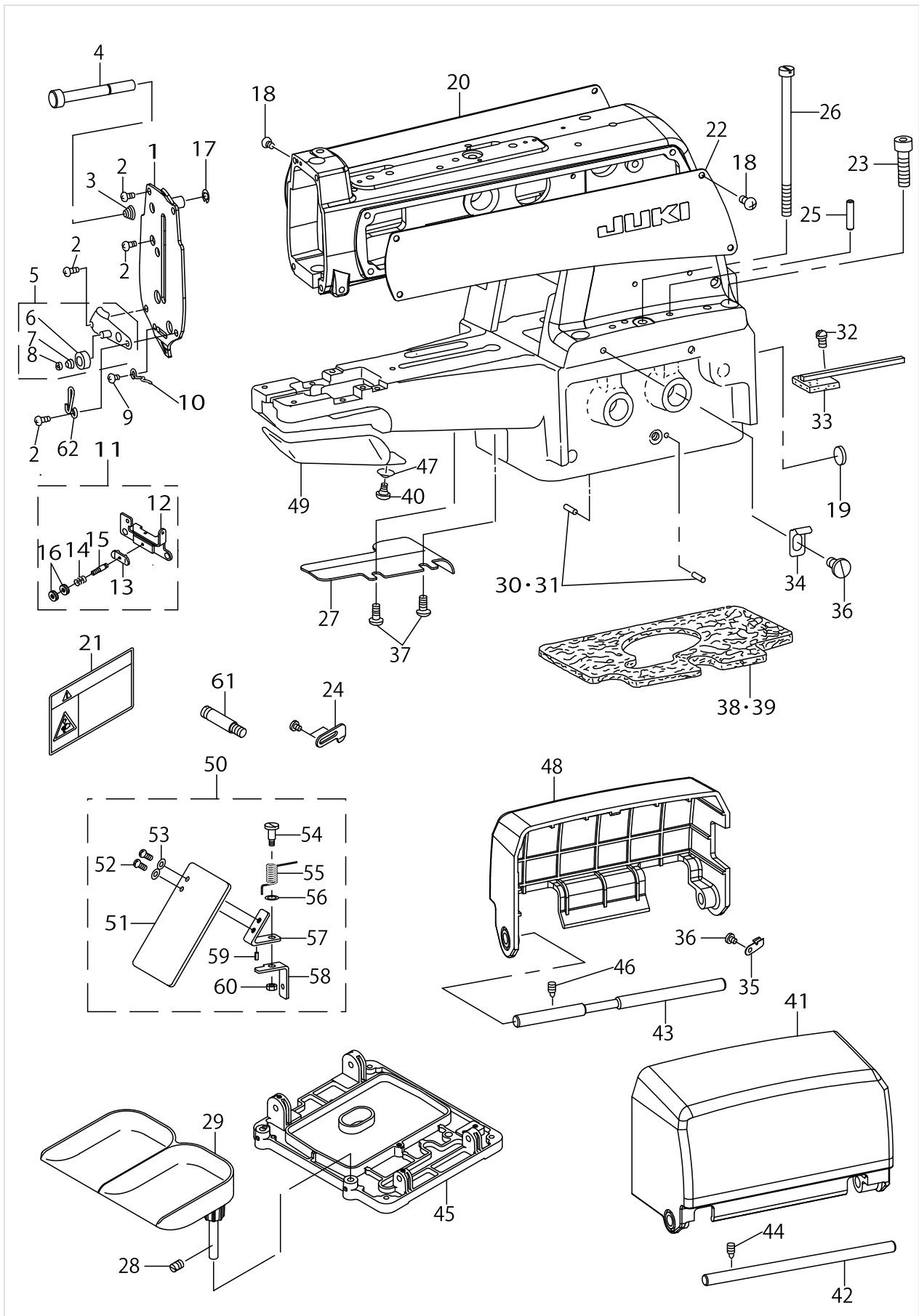
ARM & MISCELLANEOUS COVERS COMPONENTS



ARM & MISCELLANEOUS COVERS COMPONENTS

No.	Parts No.	Parts name	Remarks	Level	Cons	Qty
1	26038752	FACE PLATE				1
2	SS4120915SP	SCREW 3/16-28 L=9				4
3	26021600	TENSION SPRING				1
4	26032003	NIPPER RELEASING STUD				1
5	26001164	THREAD TENSION GUIDE NO.3 ASM.	FOR MB-373NS			1
6	26001404	THREAD TENSION DISC NO.3		*		2
7	26001305	THREAD TENSION SPRING NO.3		*		1
8	RE0300000K0	E-RING 3		*		1
9	SS7110340SP	SCREW 11/64-40 L= 3.2				1
10	26031203	THREAD GUIDE NO. 4				1
11	26031351	THREAD TENSION NO.3 ASM.	FOR MB-377NS			1
12	26031302	TENSION ADJUSTING BASE NO.3		*		1
13	26031401	THREAD PRESSER PLATE		*		1
14	26031500	TENSION SPRING B		*		1
15	26031609	THREAD TENSION STUD		*		1
16	26031708	THREAD TENSION NUT		*		2
17	RE0320000K0	E-RING 3.2				1
18	SS4120915SP	SCREW 3/16-28 L=9				8
19	10004109	GROUND MARK				1
20	26012104	SIDE PLATE, LEFT				1
21	CM3002001B1	SAFETY LABEL 12				1
22	26012005	SIDE PLATE, RIGHT				1
23	SM6083042CH	SCREW M8 L=30				4
24	26033704	STOPPER	FOR MB-377NS			1
25	26011205	GUIDE PIN				2
26	26011908	SET SCREW				1
27	26010603	BED OIL SHIELD				1
28	SS8150710TP	SCREW 15/64-28 L=7				1
29	17848458	BUTTON TRAY ASM.				1
30	26022608	CAM INDICATING PIN A	SELECTIVE PARTS			2
31	26022707	CAM INDICATING PIN B	SELECTIVE PARTS			2
32	SS7110840SP	SCREW 11/64-40 L=7.8				1
33	B35033720A0A	OIL SUPPLY FELT				1
34	26011601	SIDE COVER SPRING				2
35	26011809	SIDE COVER SPRING, LEFT	FOR MB-377NS			1
36	SS7120640SP	SCREW 3/16-28 L=6				2
37	SS4110815SP	SCREW 11/64-40 L=8				2
38	B1104372A00	OIL DRIP FELT (A) 5MM	SELECTIVE PARTS			1
39	B1104372B00	OIL DRIP FELT (B) 7MM	SELECTIVE PARTS			1
40	SD0600271SP	HINGE SCREW D= 6 H= 2.7				1
41	26011502	SIDE COVER, RIGHT				1
42	26011304	SIDE COVER HINGE SHAFT				2
43	26011700	SIDE COVER SHAFT, LEFT	FOR MB-377NS			1
44	SS8150710TP	SCREW 15/64-28 L=7				1
45	26010504	MACHINE SUB-BASE				1
46	SS8150710TP	SCREW 15/64-28 L=7				1
47	WS0650389KP	SPRING WASHER 6.5X14.0X17				1

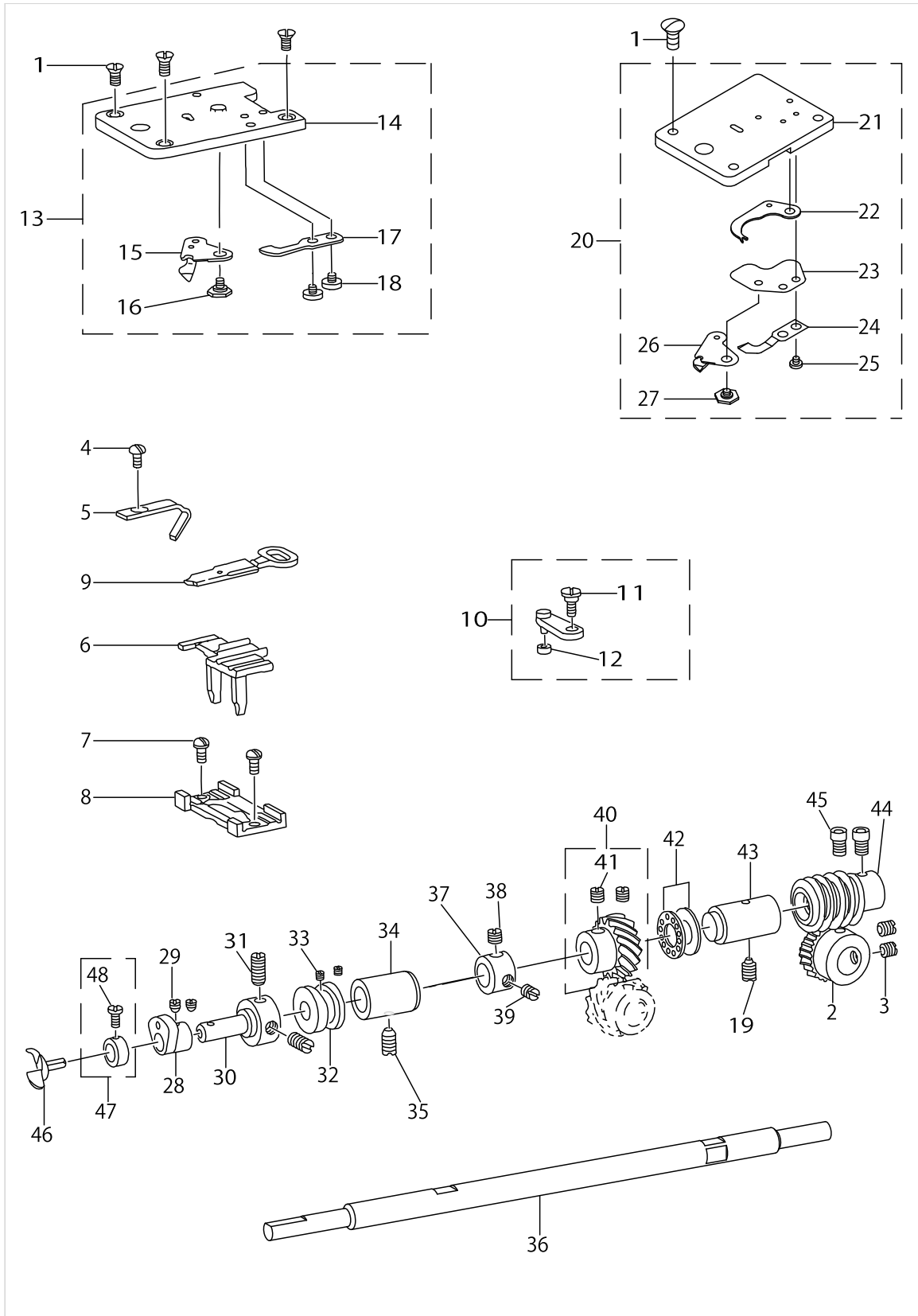
ARM & MISCELLANEOUS COVERS COMPONENTS



ARM & MISCELLANEOUS COVERS COMPONENTS

No.	Parts No.	Parts name	Remarks	Level	Cons	Qty
48	26011403	SIDE COVER, LEFT				1
49	26003608	LOOPER COVER				1
50	B31153720A0	SAFETY PLATE ASM.				1
51	26037200	SAFETY PLATE		*		1
52	SS4110715SP	SCREW 11/64-40 L=7		*		2
53	WP0450801SD	WASHER 4.5X10X0.8		*		2
54	SD0601021SP	HINGE SCREW D=6 H=10.2		*		1
55	26037408	SAFETY PLATE RETURN SPRING		*		1
56	WP0740516SP	WASHER 7.4X11.8X0.5		*		1
57	26037309	SAFETY PLATE INSTALLING PLATE		*		1
58	26037101	SAFETY PLATE INSTALLING BASE		*		1
59	PS0200062KH	SPRING PIN 2X6		*		1
60	NS6110310SP	NUT 11/64-40		*		1
61	13737507	SUSPENSION SCREW B	FOR MB-377NS			1
62	26031104	THREAD GUIDE NO. 3				1

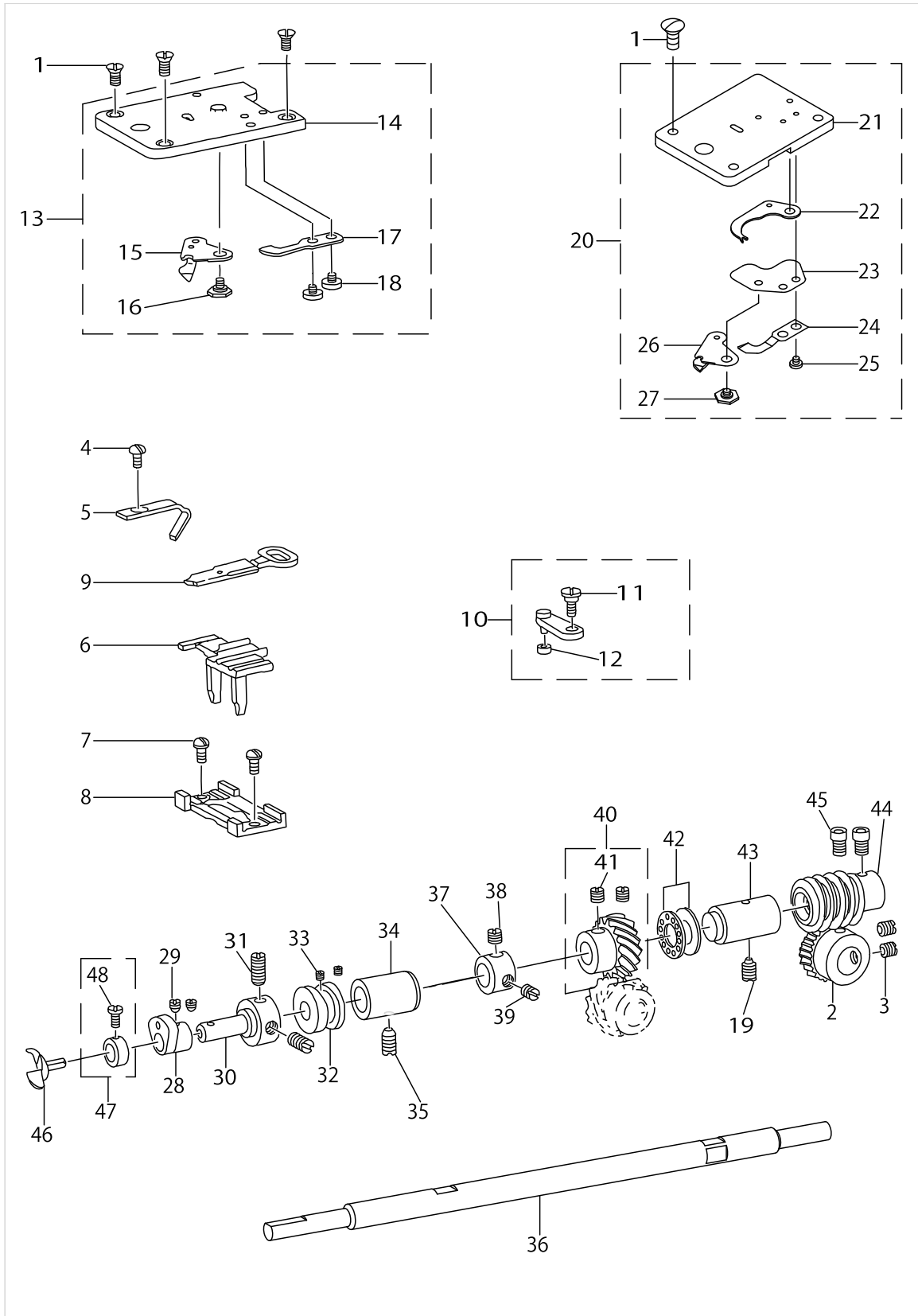
LOOPER SHAFT MECHANISM COMPONENTS



LOOPER SHAFT MECHANISM COMPONENTS

No.	Parts No.	Parts name	Remarks	Level	Cons	Qty
1	SS2110920TP	SCREW 11/64-40 L=8.5				3
2	B1220372000	CAM SHAFT DRIVEN GEAR				1
3	SS8660612TP	SCREW 1/4-40 L=6				2
4	SS7110840SP	SCREW 11/64-40 L=7.8				1
5	26015206	NEEDLE GUARD				1
6	B1236373000	POSITIONING FINGER YOKE SLIDE				1
7	SS1110710SP	SCREW 11/64-40 L=7				2
8	B1235373000	YOKE SLIDE INSERT				1
9	26013805	YOKE SLIDE				1
10	B12303720A0	LOOP POSITIONING FINGER LEVER				1
11	SD0640241SP	HINGE SCREW D= 6.35 H= 2.4		*		1
12	B1232372000	LOOP POSITIONING FINGER LEVER		*		1
13	B12413730B0	THROAT PLATE ASM.	FOR MB-373NS			1
14	B1241373000	THROAT PLATE	FOR MB-373NS	*		1
15	B24063730A0	MOVING KNIFE ASM.		*		1
16	SD0600095TH	HINGE SCREW D= 6 H= 0.85		*		1
17	B2410373000	COUNTER KNIFE		*		1
18	SS7080310SP	SCREW 1/8-44 L= 3.0		*		2
19	SS8151150TP	SCREW 15/64-28 L=10.5				1
20	B12413770B0	THROAT PLATE SET	FOR MB-377NS			1
21	B12413770A0	THROAT PLATE ASM.	FOR MB-377NS	*		1
22	B27033770A0	THREAD BIND PLATE ASM.	FOR MB-377NS	*		1
23	B2702377000	THREAD BIND SUPPORT PLATE	FOR MB-377NS	*		1
24	B2410373000	COUNTER KNIFE		*		1
25	SS7080310SP	SCREW 1/8-44 L= 3.0		*		2
26	B24063730A0	MOVING KNIFE ASM.		*		1
27	SD0600095TH	HINGE SCREW D= 6 H= 0.85		*		1
28	26003103	LOOP POSITIONING FINGER CAM				1
29	SS8110410TP	SCREW 11/64-40 L= 3.5				2
30	26015503	CAM & LOOPER SLEEVE				1
31	SS8150410TP	SCREW 15/64-28 L= 4.0				2
32	B1228372000	LOOP POSITIONING FINGER CAM RE				1
33	SS8110310SP	SCREW 11/64-40 L= 2.8				2
34	26015305	LOOPER SHAFT BUSHING, FRONT				1
35	SS8151150TP	SCREW 15/64-28 L=10.5				1
36	26013003	LOOPER SHAFT				1
37	CS1111019SH	THRUST COLLAR D=11.11 W=10				1
38	SS8660512TP	SCREW 1/4-40 L=5				1
39	SS8660512TP	SCREW 1/4-40 L=5				1
40	B12243720A0	LOOPER SHAFT DRIVEN GEAR ASM.				1
41	SS8660612TP	SCREW 1/4-40 L=6		*		2
42	B1215372A00	THRUST BALL BEARING				1
43	26013102	LOOPER SHAFT BUSHING, REAR				1
44	B1221372000	DRIVEN WORM GEAR				1
45	SS6660712TP	SCREW 1/4-40 L= 7.0				2
46	B1239372000	LOOPER				1
47	CS079072ATH	THRUST COLLAR ASM.				1

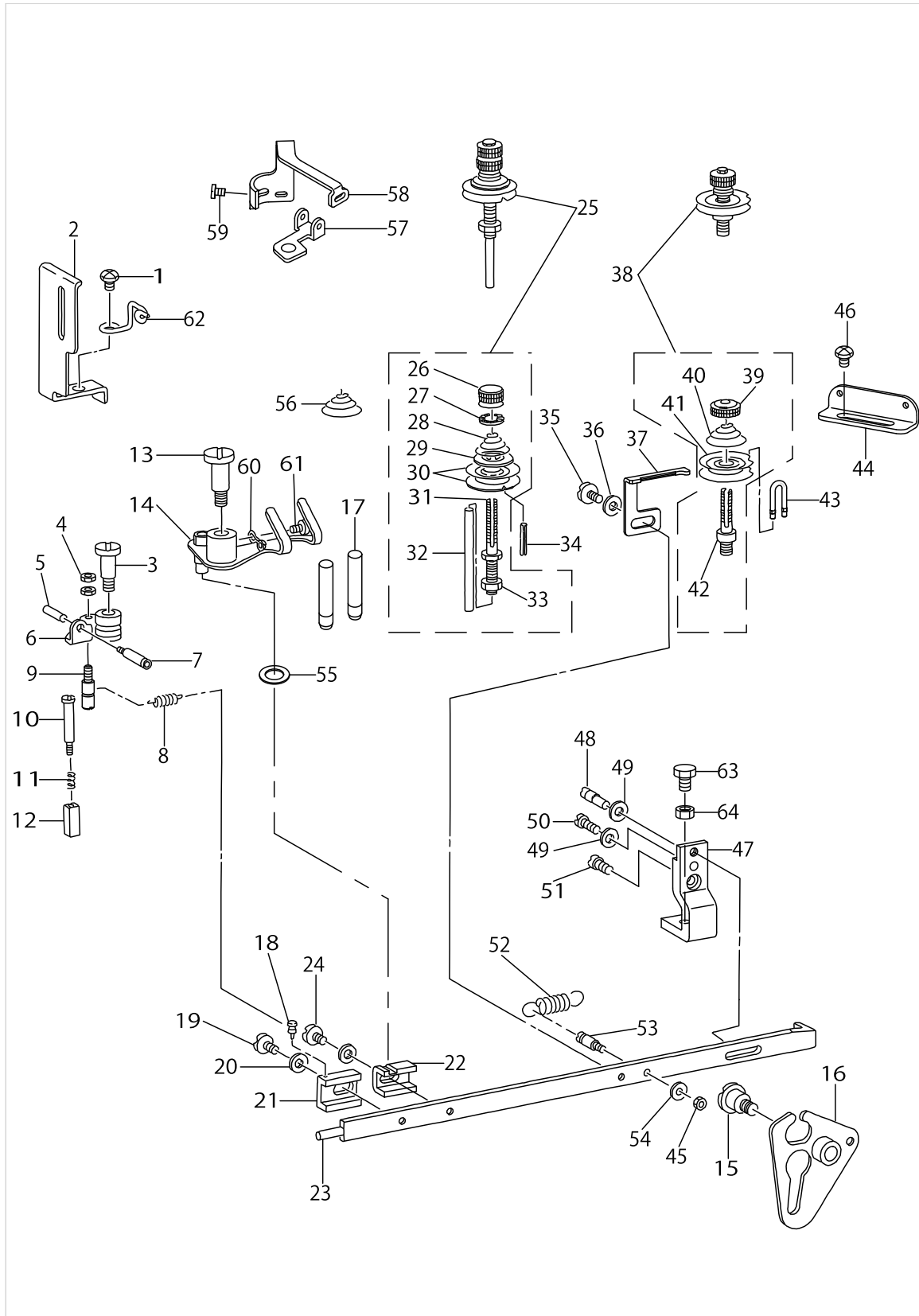
LOOPER SHAFT MECHANISM COMPONENTS



LOOPER SHAFT MECHANISM COMPONENTS

No.	Parts No.	Parts name	Remarks	Level	Cons	Qty
48	SS7090620TP	SCREW 9/64-40 L=6.1		*		1

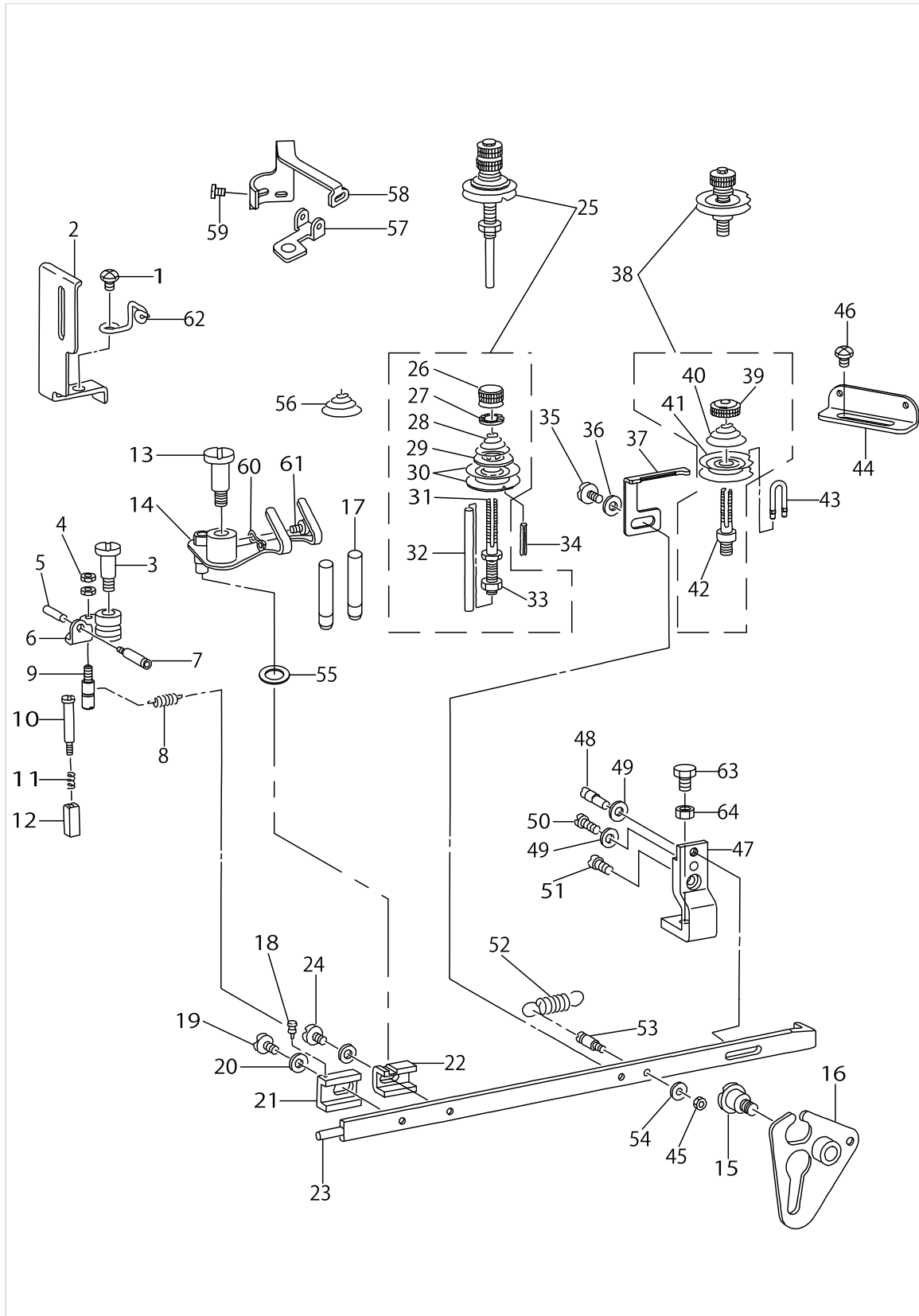
NIPPER & THREAD TENSION PARTS COMPONENTS



NIPPER & THREAD TENSION PARTS COMPONENTS

No.	Parts No.	Parts name	Remarks	Level	Cons	Qty
1	SS4150915SP	SCREW 15/64-28 L=9				1
2	B1421372000	NEEDLE BAR GUARD				1
3	SD0791271SP	HINGE SCREW D= 7.94 H=12.7				1
4	NS6080210SP	NUT 1/8-44				2
5	26020602	NUT				1
6	26000950	NIPPER COMPL.				1
7	B2034372000	THREAD RELEASING SCREW STUD				1
8	26020800	NIPPER BAR BLOCK SPRING				1
9	26020701	NIPPER BAR BLOCK SPRING SCREW				1
10	SD0402001TP	HINGE SCREW D=4 H=20				1
11	B2029372000	NIPPER BLOCK SPRING				1
12	26020305	NIPPER BLOCK				1
13	SD0791503SP	HINGE SCREW D=7.94 H=15				1
14	26001560	THREAD PULL-OFF LEVER ASM.				1
15	SD0790802TP	HINGE SCREW D=7.94 H=8				1
16	26000455	NIPPER BAR ACTUATING LEVER ASM				1
17	26020206	THREAD GUIDE PIN				2
18	26019406	NIPPER BAR BLOCK SPRING PIN				1
19	SS6120930TP	SCREW 3/16-28 L=9				1
20	WP0501016SD	WASHER 5X10.5X1				2
21	26019307	NIPPER BAR BLOCK				1
22	26019208	TENSION LEVER ROCKING PIECE				1
23	26001909	NIPPER BAR				1
24	SS6120930TP	SCREW 3/16-28 L=9				1
25	B20193720AA	TESION POST ASM., NO.2				1
26	B3116125000	TENSION NUT		*		1
27	22921407	ROTATION STOPPER		*		1
28	B2021372000	THREAD TENSION SPRING NO.2		*		1
29	B3132012000	TENSION DISC HOLDER		*		1
30	B2016372000	TENSION DISC		*		2
31	B2019372000	TENSION POST NO.2		*		1
32	B2020372000	TENSION RELEASE PIN		*		1
33	NS6160520SP	NUT 1/4-24		*		1
34	PS0300162KH	SPRING PIN 3X16				1
35	SS6120930TP	SCREW 3/16-28 L=9				1
36	WP0501016SD	WASHER 5X10.5X1				1
37	26019109	THREAD TENSION RELEASING LEVER				1
38	26005157	THREAD TENSION ASM. (NO.1)				1
39	B3125012000	THREAD TENSION NUT		*		1
40	B2017372000	TENSION SPRING NO.1		*		1
41	B2016372000	TENSION DISC		*		2
42	B2015372000	THREAD TENSION STAFF NO. 1		*		1
43	26019505	THREAD GUIDE				1
44	26021402	THREAD GUIDE NO.1				1
45	NS6080340SP	NUT 1/8-44				1
46	SS4150915SP	SCREW 15/64-28 L=9				1
47	26001800	NIPPER BAR BEARING BLOCK				1

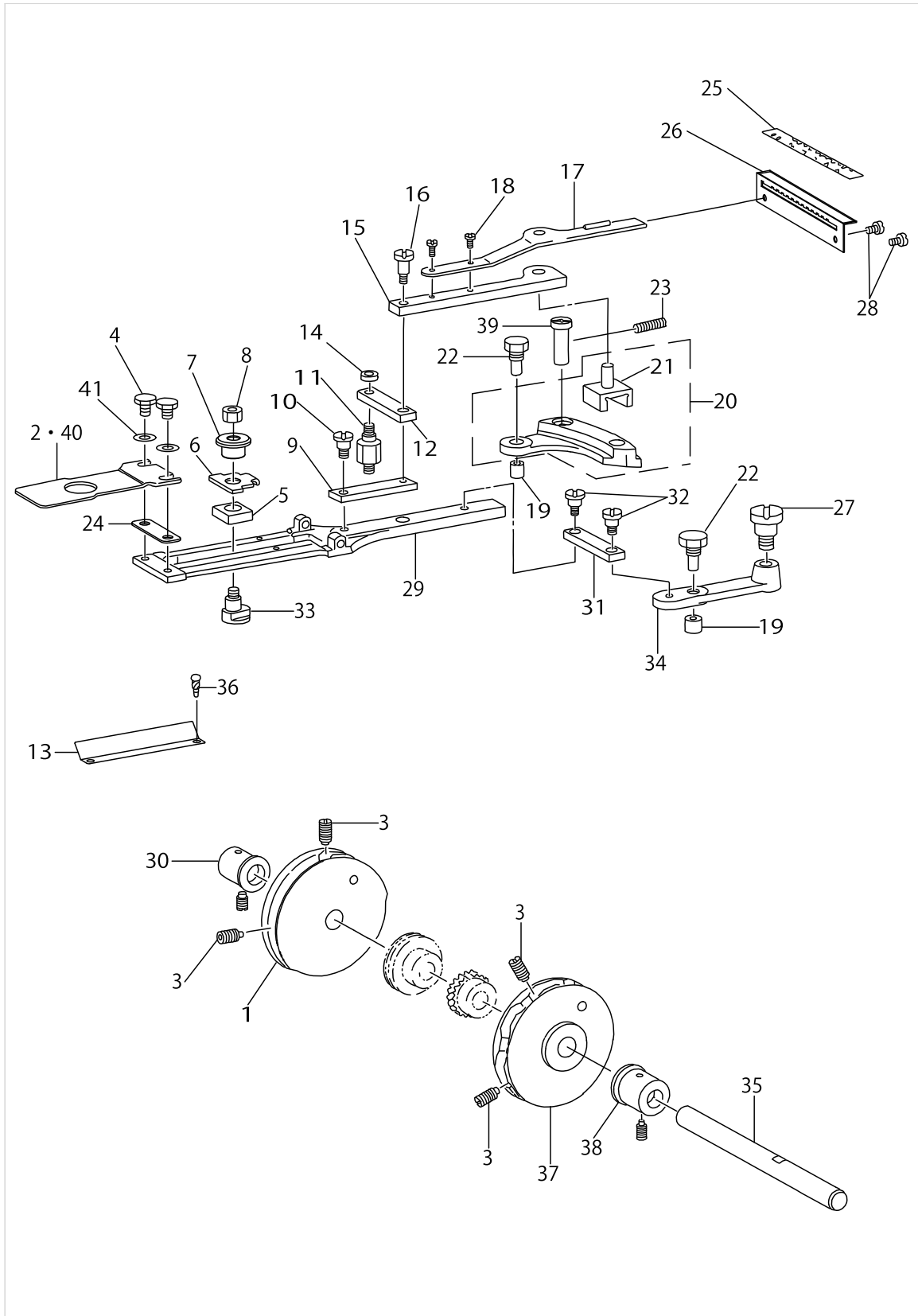
NIPPER & THREAD TENSION PARTS COMPONENTS



NIPPER & THREAD TENSION PARTS COMPONENTS

No.	Parts No.	Parts name	Remarks	Level	Cons	Qty
48	B2006372000	ADJUSTING SCREW				1
49	WP0480856SP	WASHER 4.8X8.4X0.8				2
50	SS6121610TP	SCREW 3/16-28 L=15.5				1
51	SS6121050SP	SCREW 3/16-28 L= 9.5				1
52	26019000	THREAD TENSION SPRING				1
53	B2007372000	NIPPER BAR SPRING SCREW				1
54	WP0371016SD	WASHER 3.7X8X1				1
55	26019604	WASHER				1
56	B3114232000	THREAD TENSION SPRING				1
57	26021105	THREAD GUIDE	FOR MB-377NS			1
58	26021204	LEVER	FOR MB-377NS			1
59	SS7090540TP	SCREW 9/64-40 L=5	FOR MB-377NS			1
60	26021501	THREAD GUIDE	FOR MB-373NS			1
61	SS4090415SP	SCREW 9/64-40 L=4	FOR MB-373NS			1
62	B2038372000	THREAD GUIDE NO. 2	FOR MB-373NS			1
63	SM9061403CP	SCREW M6 L=14				1
64	NM6060001SE	NUT M6				1

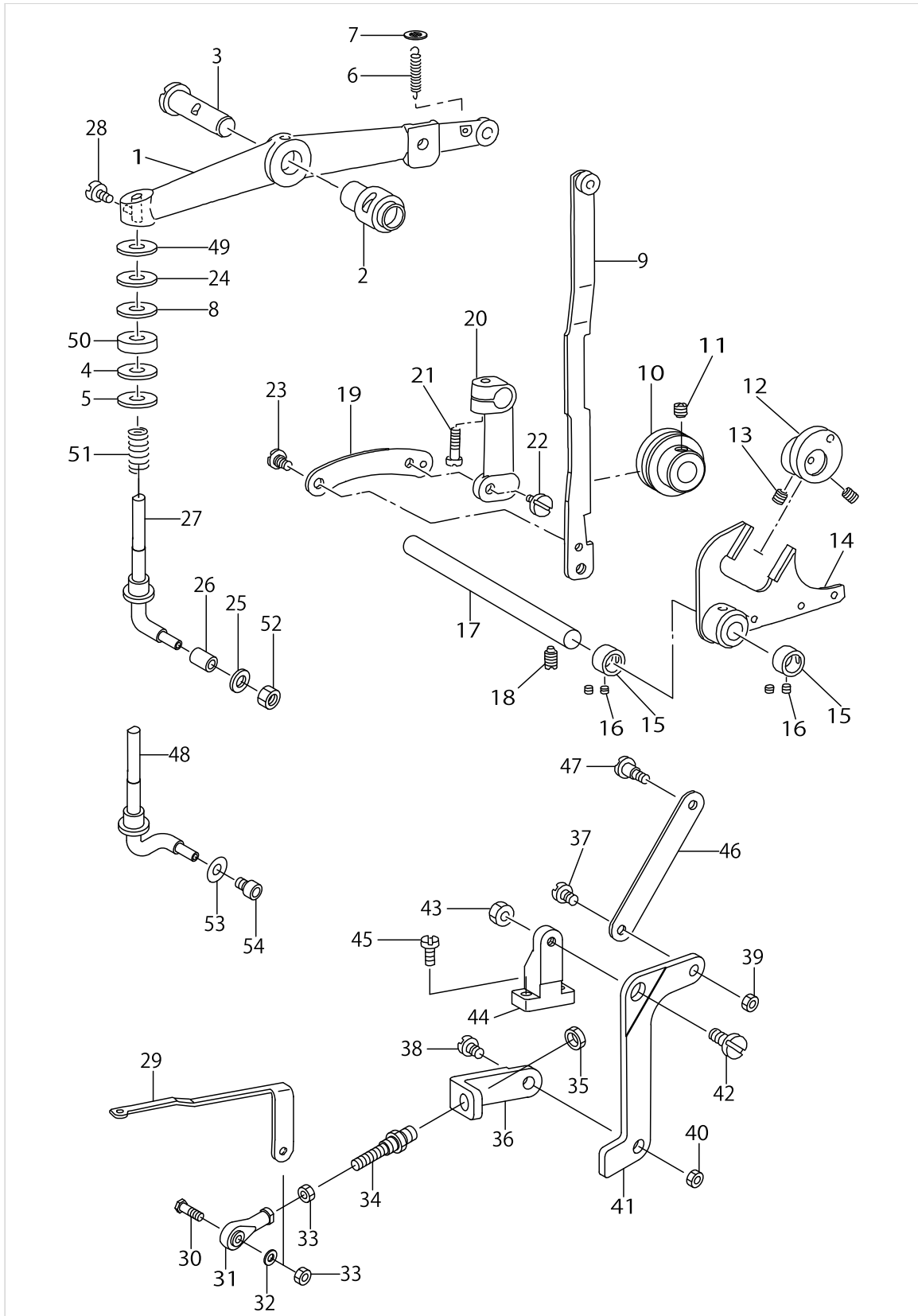
FEED PLATE COMPONENTS



FEED PLATE COMPONENTS

No.	Parts No.	Parts name	Remarks	Level	Cons	Qty
1	B2506373000A	LONGITUDINAL FEED CAM				1
2	B2529373000	FEED PLATE, SMALL BUTTON				1
3	SS8681412TP	SCREW 9/32-28 L=13.5				4
4	SS9120643TP	SCREW 3/16-28 L=6				2
5	26024604	LNDICATOR PIN BEARING BLOCK				1
6	26024901	CROSSWISE FEED INDICATOR				1
7	26024703	CROSSWISE FEED INDICATOR PIN				1
8	NS6160520SP	NUT 1/4-24				1
9	26024109	SLIDE PLATE CONNECTING LINK A				1
10	SD0640481SP	HINGE SCREW D= 6.35 H= 4.8				1
11	26024307	STUD				1
12	26024208	INTERMEDI CONNECTING LINK				1
13	26024802	CROSSWISE FEED GRADVATED PLATE				1
14	NS6120630SP	NUT 3/16-28				1
15	B2513372000	INDICATOR SPRING CONNECTING LI				1
16	SD0640961SP	HINGE SCREW D= 6.35 H= 9.6				1
17	26024000	HANDLE & INDICATOR SPRING				1
18	SS4090615SP	SCREW 9/64-40 L=6				2
19	26023200	CAM ROLL				2
20	B25113720A0	LENGTHWISE FEED LEVER ASM.				1
21	B2512372000	LENGTHWISE FEED LEVER SLIDE BL		*		1
22	26023309	CAM ROLL SCREW STUD				2
23	SS8152030SP	SCREW 15/64-28 L=20				1
24	26025106	SPACER	FOR MB-377NS			1
25	B2563372000	LENGTHWISE FEED GRADUATE PLATE				1
26	26027300	PLATE BASE				1
27	SD0791051SP	HINGE SCREW D= 7.94 H=10.5				1
28	SS4120615SP	SCREW 3/16-28 L=6				2
29	B2522373000A	FEED PLATE				1
30	26022509	CAM SHAFT BUSHING, LEFT				1
31	26024208	INTERMEDI CONNECTING LINK				1
32	SD0640481SP	HINGE SCREW D= 6.35 H= 4.8				2
33	B2523372000	HINGE SCREW FOR CROSSWISE FEED				1
34	B2510372000A	CROSSWISE FEED LEVER				1
35	26004101	CAM SHAFT				1
36	B1161227000	RIVET				2
37	B2505373000A	LATERAL FEED CAM				1
38	26022400	CAM SHAFT BUSHING, RIGHT				1
39	26023408	FEED STUD				1
40	D2529373B00A	FEED PLATE MEDIUM SIZE BUTTON				1
41	WP0501016SD	WASHER 5X10.5X1				2

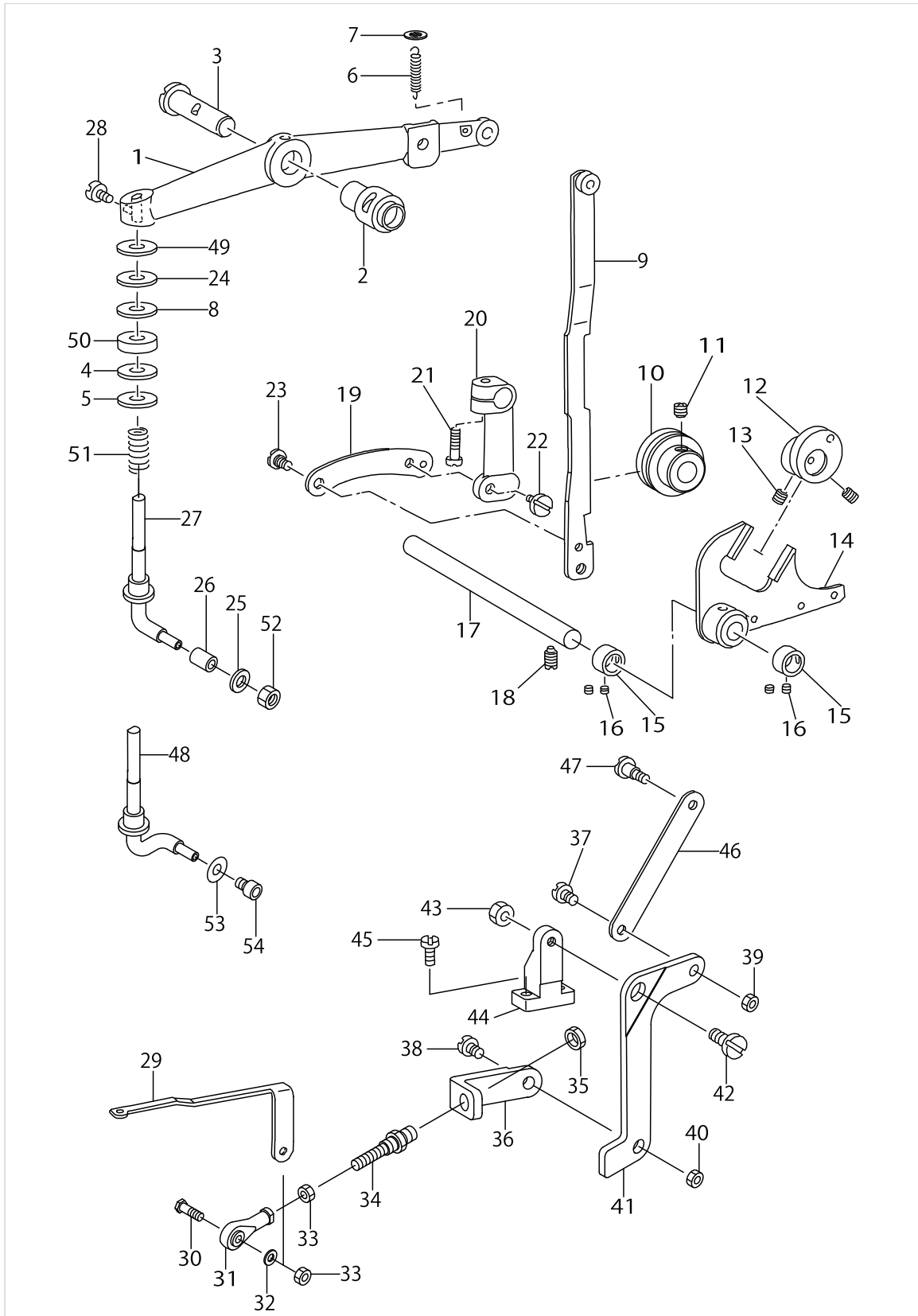
BUTTON CLAMP LIFTER COMPONENTS



BUTTON CLAMP LIFTER COMPONENTS

No.	Parts No.	Parts name	Remarks	Level	Cons	Qty
1	B4412373000A	LIFTING LEVER				1
2	26018101	BUSHING				1
3	26018200	LIFTING LEVER SHAFT				1
4	WP0751576SD	WASHER 7.5X19X1.5	SELECTIVE PARTS (USE OF ONE OR TWO PARTS)			2
5	WP0851846SC	WASHER 8.5X22.0X1.8	SELECTIVE PARTS (USE OF ONE OR TWO PARTS)			2
6	26033407	SPRING				1
7	26033308	WASHER				1
8	WP0704016SP	WASHER 7X20X4	SELECTIVE PARTS (USE OF ONE PARTS)			1
9	B4411372000	BUTTON CLAMP LIFTING LINK				1
10	26032607	SLIDING ROLLER				1
11	SS8660612TP	SCREW 1/4-40 L=6				1
12	26003301	ECCENTRIC CAM ASM.				1
13	SS8660612TP	SCREW 1/4-40 L=6				2
14	B4401372000	BUTTON CLAMP LIFTING LINK				1
15	CS0950816SH	THRUST COLLAR D=9.5 W=8				2
16	SS8110410TP	SCREW 11/64-40 L= 3.5				4
17	26032300	LEVER SHAFT				1
18	SS8151150TP	SCREW 15/64-28 L=10.5				1
19	B4408372000	LIFTING LINK CONNECTING LINK				1
20	B4406372000C	LIFTING PLATE GUIDE ROD				1
21	SS6121610TP	SCREW 3/16-28 L=15.5				1
22	SD0640481SP	HINGE SCREW D= 6.35 H= 4.8				1
23	SD0640211SP	HINGE SCREW D= 6.35 H= 2.1				1
24	WP0703516SP	WASHER 7X20X3.5	SELECTIVE PARTS (USE OF ONE PARTS)			1
25	WP0371026SD	WASHER 3.7X7X1	FOR MB-373NS			1
26	B4417372000	BUTTON CLAMP LIFTING ROD ROLL				1
27	26000653	BUTTON CLAMP LIFTING ROD COMPL	FOR MB-373NS			1
28	SM6061002TP	SCREW M6 L=10				1
29	B2404373R00	CONNECTING LINK, FRONT				1
30	26022202	JOINT STUD				1
31	B1632180000	FEED ADJUSTING JOINT				1
32	WP0510516SD	WASHER 5.1X7.5X0.5				1
33	NM6050001SP	NUT M5				2
34	B2412373000	CONNECTING SCREW				1
35	NS6680410SP	NUT 9/32-28				2
36	26021808	CONNECTING LINK, REAR				1
37	SD0640323TP	HINGE SCREW D= 6.35 H= 3.2				1
38	SD0790402TP	HINGE SCREW D= 7.94 H= 4				1
39	NS6620310SP	NUT 3/16-32				1
40	NS6150310SP	NUT 15/64-28				1
41	26002006	THREAD TRIMMING LEVER				1
42	SD0790311TP	HINGE SCREW D= 7.94 H= 3.1				1
43	NS6110420SP	NUT 11/64-40				1
44	26022004	THREAD TRIM LEVER BASE				1
45	SS7111410TP	SCREW 11/64-40 L=14				2
46	26021709	THREAD TRIMMING LINK				1

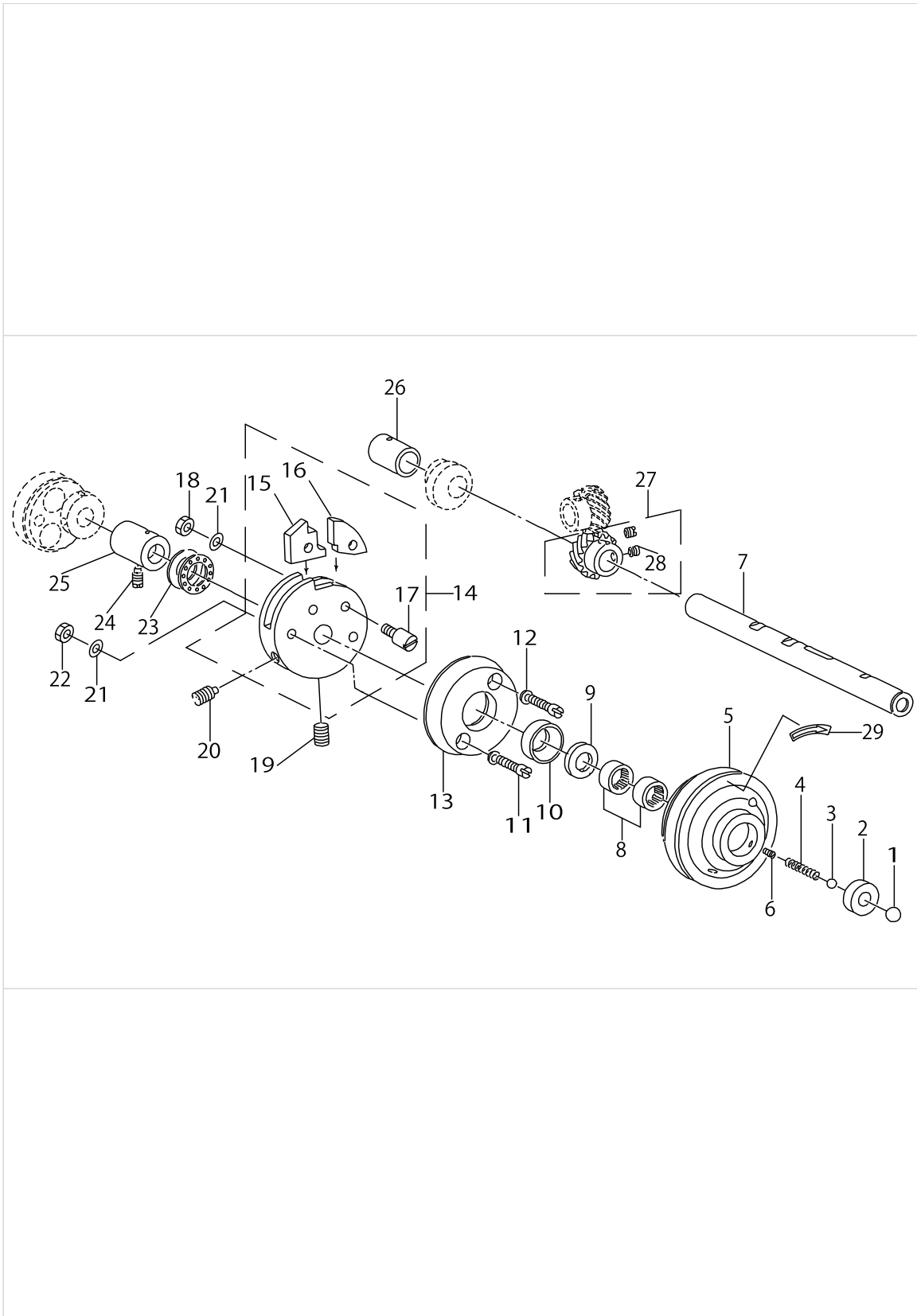
BUTTON CLAMP LIFTER COMPONENTS



BUTTON CLAMP LIFTER COMPONENTS

No.	Parts No.	Parts name	Remarks	Level	Cons	Qty
47	SD0641322TP	HINGE SCREW D=6.35 H=13.2				1
48	B44163770A0	LIFTING BAR ASM.	FOR MB-377NS			1
49	WP0704516SP	WASHER 7X20X4.5	SELECTIVE PARTS (USE OF ONE PARTS)			1
50	B4420373000	CUSHION				1
51	26033605	SAFETY MAGNET				1
52	NS6090310SP	NUT 9/64-40	FOR MB-373NS			1
53	WP0330501SB	WASHER M3	FOR MB-377NS			1
54	SM6030402TP	SCREW M3X0.5 L=4	FOR MB-377NS			1

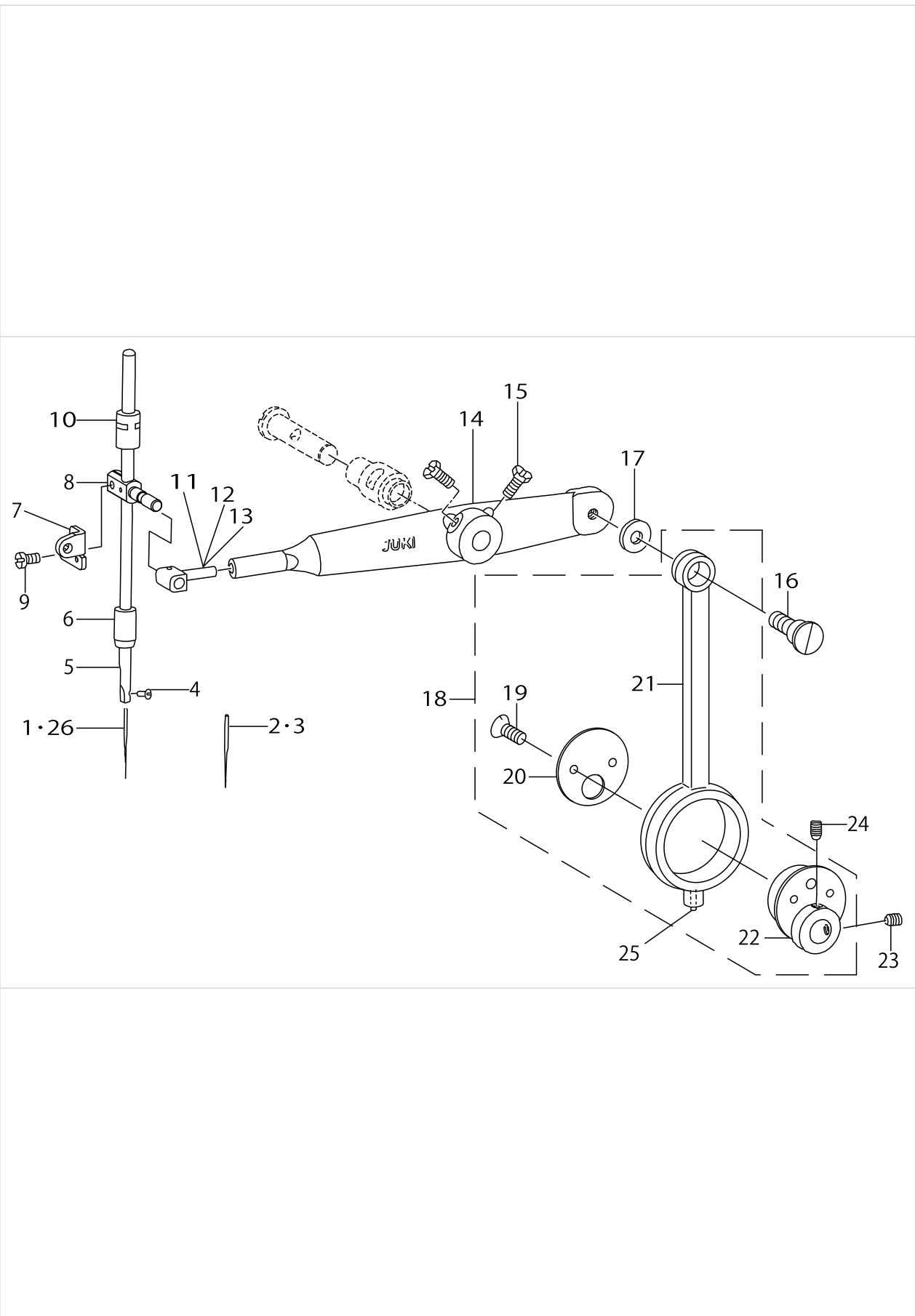
NEEDLE DRIVING PULLEY SHAFT COMPONENTS



NEEDLE DRIVING PULLEY SHAFT COMPONENTS

No.	Parts No.	Parts name	Remarks	Level	Cons	Qty
1	B1203372000	BALL LARGE				1
2	26012401	PULLEY INSERT				1
3	B1246372000	BALL SMALL				1
4	B1205372000	SPRING				1
5	B1202372000	NEEDLE DRIVING PULLEY				1
6	SS8110750SP	SCREW 11/64-40 L= 6.5				1
7	26003004	NEEDLE DRIVING PULLEY SHAFT				1
8	B1243372000	NEEDLE BEARING				2
9	B1206372000	GREASE RETAINING WICK				1
10	26012708	GREASE RETAINING WICK CASE				1
11	SS6152440SP	SCREW 15/64-28 L=23.5				2
12	WP0621026SP	WASHER 6.2X9.5X1				2
13	B1208372000	NEEDLE DRIVING PULLEY CLUTCH D				1
14	B12103720A0	STOP MOTION DISC ASM.				1
15	B1211372000	STOP MOTION DISC PAWL (A)		*		1
16	B1212372000	STOP MOTION DISC LATCH (B)		*		1
17	B1213372000	SCREW		*		2
18	NS6150430SP	NUT 15/64-28				2
19	SS8701042TP	SCREW 5/16-24 L=10.0				1
20	SS8701782TP	SCREW 5/16-24 L=17.0				1
21	WS0651310KP	SPRING WASHER 6.5X11X1.3				4
22	NS6150430SP	NUT 15/64-28				2
23	B1215372B00	THRUST BALL BEARING				1
24	SS8151150SP	SCREW 15/64-28 L=10.5				1
25	B1216372000	PULLEY SHAFT BUSHING, RIGHT				1
26	26013201	PULLEY SHAFT BUSING, LEFT				1
27	B12173720A0	DRIVING GEAR ASM.				1
28	SS8660612TP	SCREW 1/4-40 L=6		*		2
29	CM500200001	DIRECTION LABEL.				1

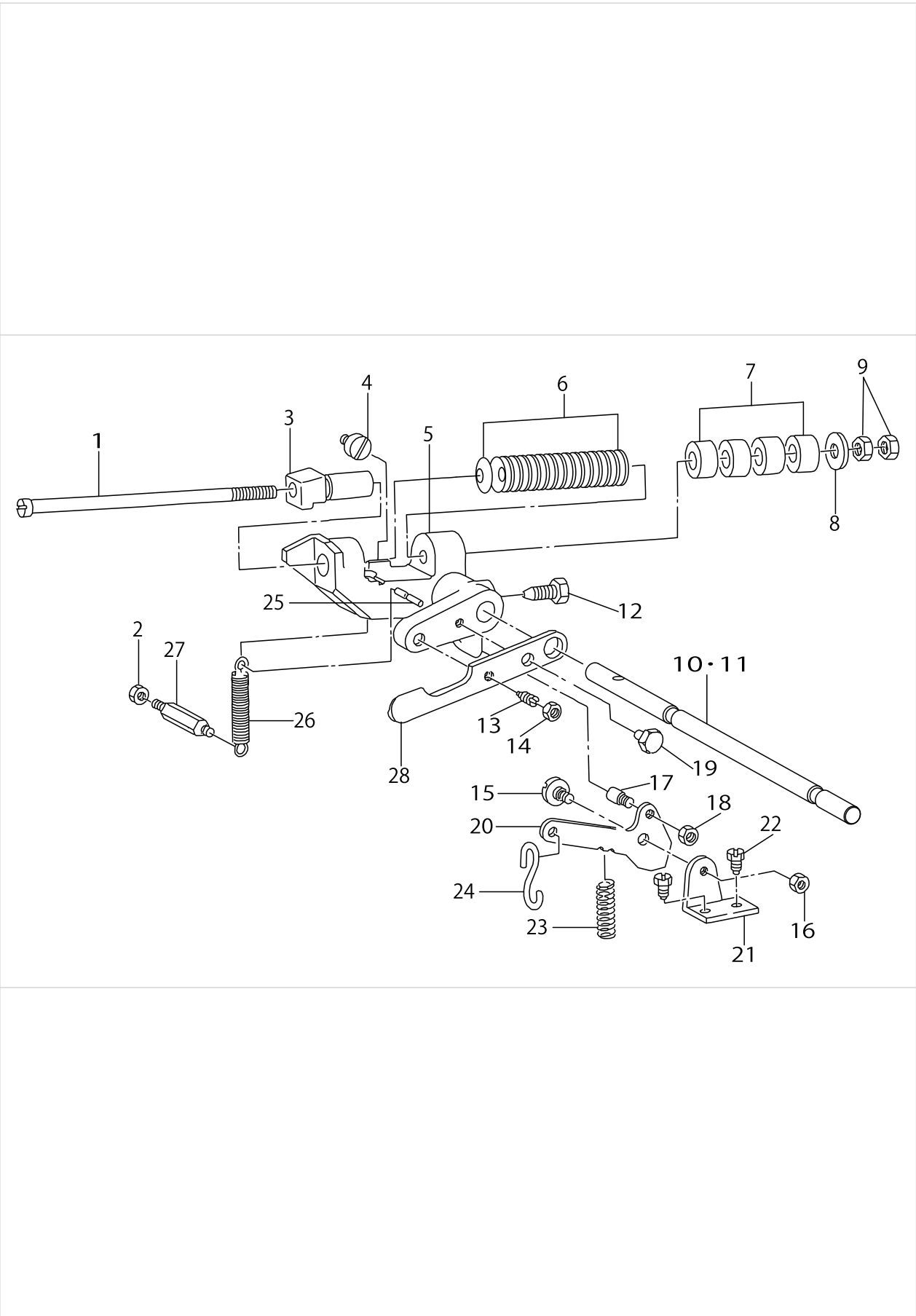
NEEDLE BAR DRIVING MECHANISM COMPONENTS



NEEDLE BAR DRIVING MECHANISM COMPONENTS

No.	Parts No.	Parts name	Remarks	Level	Cons	Qty
1	MTQ700B1600	NEEDLE TQX7 #16	FOR MB-373NS			1
2	MTQ700B2000	NEEDLE TQX7 #20	FOR MB-373NS			1
3	MTQ700B1800	NEEDLE TQX7 #18	FOR MB-377NS			1
4	SS7080510TP	SCREW 1/8-44 L=4.5				1
5	26017509	NEEDLE BAR				1
6	26017707	NEEDLE BAR BUSHING LOWER				1
7	26031807	NEEDLE BAR BALANCE				1
8	26031906	NEEDLE BAR CLAMP				1
9	SS6091210TP	SCREW 9/64-40 L=12				1
10	B1402372000	NEEDLE BAR BUSHING, UPPER				1
11	26017806	NEEDLE ROD SLIDE BLOCK	SELECTIVE PARTS			1
12	26017905	NEEDLE ROD SLIDE BLOCK A	SELECTIVE PARTS			1
13	26018002	NEEDLE ROD SLIDE BLOCK B	SELECTIVE PARTS			1
14	B1409372000B	NEEDLE BAR ROCKING PIPE				1
15	SM9061403CP	SCREW M6 L=14				2
16	SD0950806SH	HINGE SCREW D= 9.53 H= 8				1
17	26018705	WASHER				1
18	B14243720A0	CRANK ROD ASM.				1
19	SS2110920TP	SCREW 11/64-40 L=8.5		*		2
20	26018606	THRUST HOLDER		*		1
21	26018408	CRANK ROD		*		1
22	26018507	ECCENTRIC CAM		*		1
23	SS8660612TP	SCREW 1/4-40 L=6				1
24	SS8660942TP	SCREW 1/4-40 L= 8.5				1
25	B1419372000	OIL WICK				1
26	MTQ100B1600	NEEDLE TQX1 #16	FOR MB-377NS			1

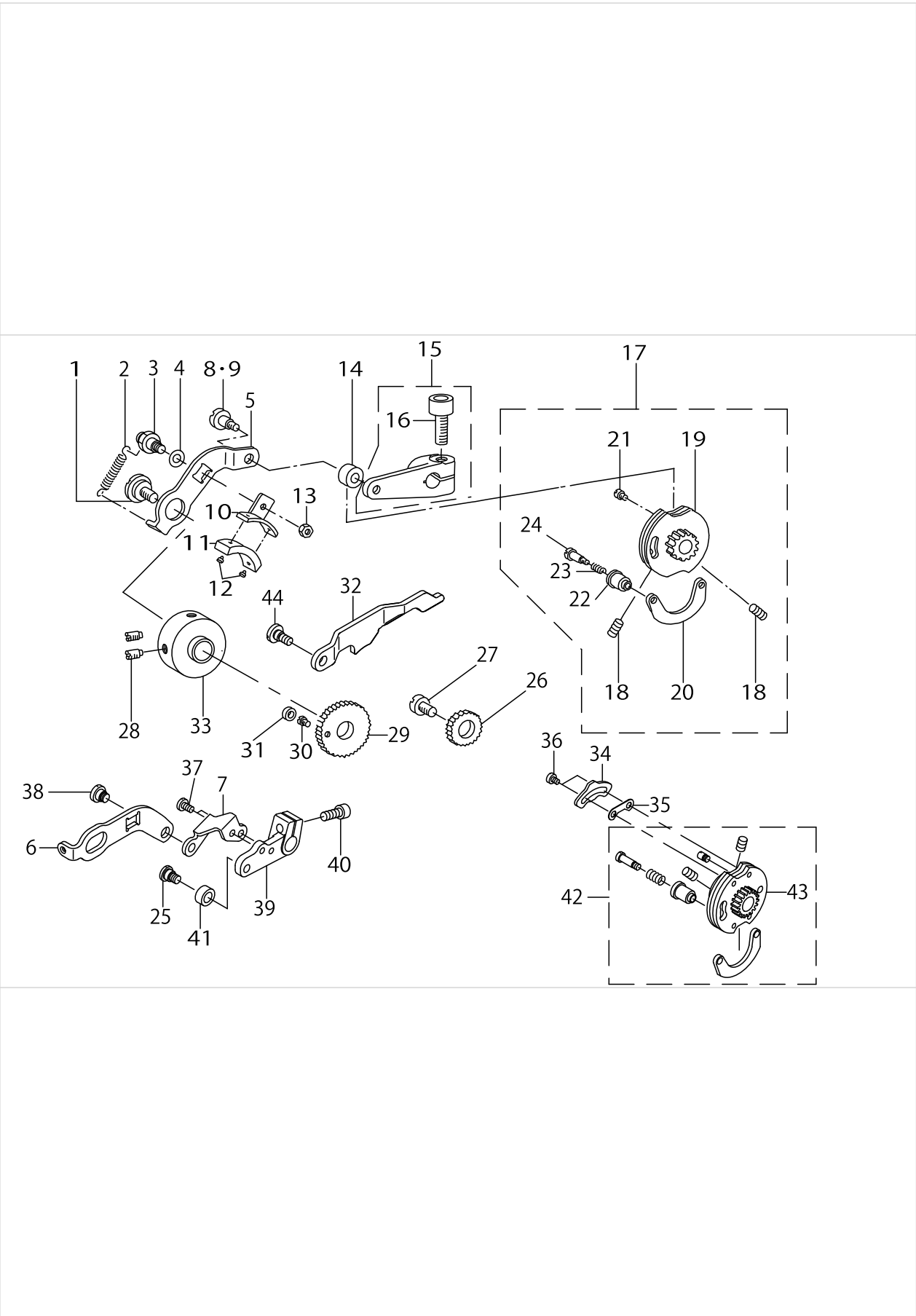
STOP MOTION MECAHNISM COMPONENTS



STOP MOTION MECAHNISM COMPONENTS

No.	Parts No.	Parts name	Remarks	Level	Cons	Qty
1	26027805	STOP MOTION PLUNGER ROD				1
2	NS6150310SP	NUT 15/64-28				1
3	26002907	STOP MOTION PLUNGER				1
4	SS6151040SP	SCREW 15/64-28 L=10				1
5	B2602372000A	STOP MOTION PLUNGER LEVER				1
6	26027904	STOP MOTION DISC SPRING				30
7	B2608280000	RUBBER CUSHION				4
8	26030601	WASHER				1
9	NS6680410SP	NUT 9/32-28				2
10	26027508	STOP-MOTION SHAFT	FOR MB-373NS			1
11	26029009	STOP-MOTION SHAFT	FOR MB-377NS			1
12	26027706	SCREW				1
13	SS8151570SP	SCREW 15/64-28 L=15.0				1
14	NS6150310SP	NUT 15/64-28				1
15	SD0680271SP	HINGE SCREW D= 6.80 H= 2.7				1
16	NS6150310SP	NUT 15/64-28				1
17	26028506	STOP SCREW				1
18	NS6150310SP	NUT 15/64-28				1
19	SM9061003CP	SCREW M6 L=10				1
20	B2614372000	STOP MOTION TRIP LEVER				1
21	B2612372000	STOP MOTION TRIP LEVER BRACKET				1
22	SS9150860SP	SCREW 15/64-28 L=8				2
23	B2616372000	SPRING				1
24	B8133019000	S SHAPED HOOK				1
25	26028001	STOP MOTION LEVER SPRING PIN				1
26	26028100	STOP MOTION LEVER SPRING				1
27	26028209	SCREW STUD				1
28	B2611372000	STOP MOTION DISC PRESSURE LEVE				1

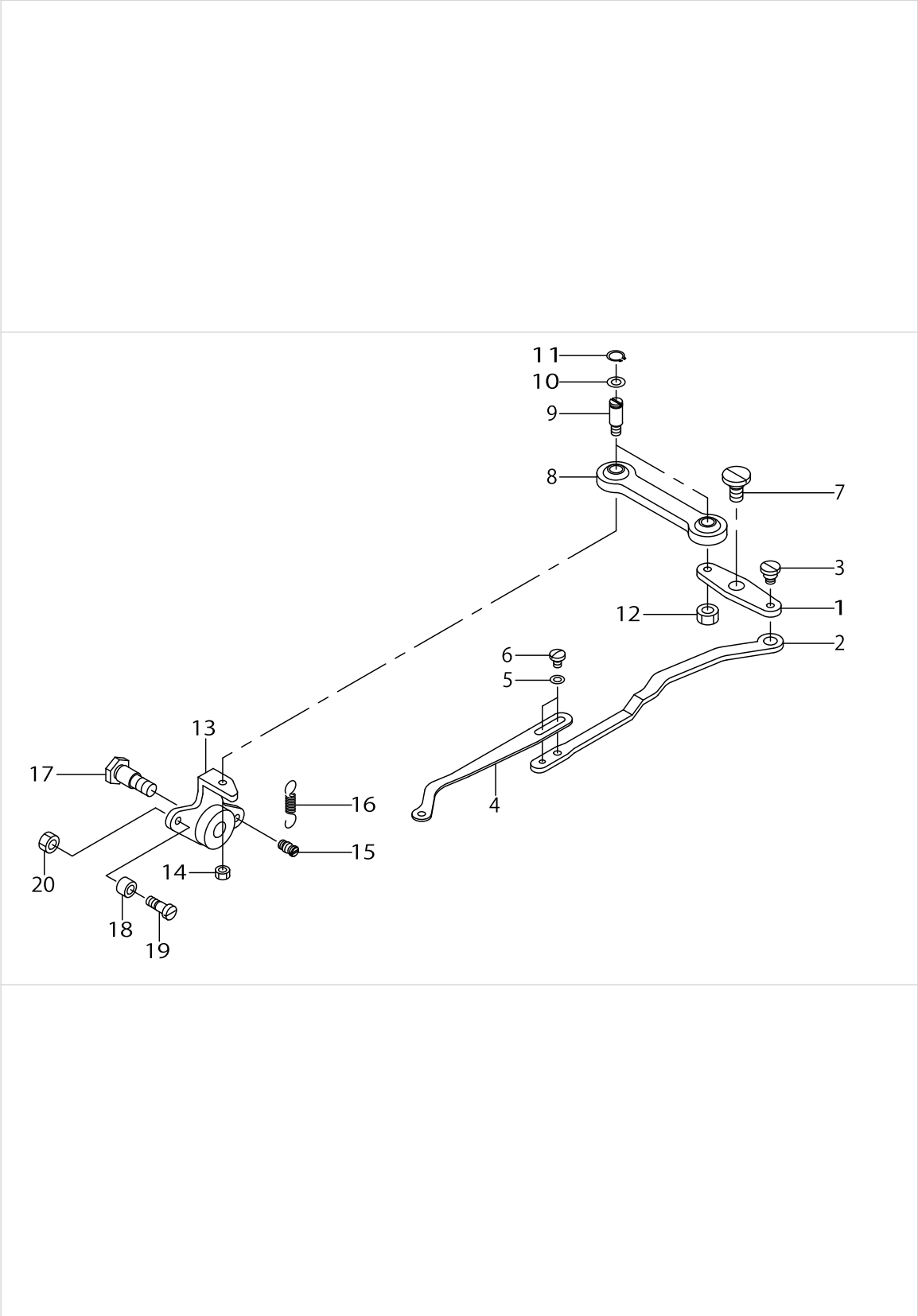
STITCH SELECTING PARTS COMPONENTS



STITCH SELECTING PARTS COMPONENTS

No.	Parts No.	Parts name	Remarks	Level	Cons	Qty
1	SD1127321SP	HINGE SCREW D=12.70 H= 3.2				1
2	B2643372000	SPRING FOR FRICTION PLATE				1
3	B2638372000A	FRICTION PLATE ROTATING SHAFT				1
4	WP0850002SP	WASHER 8.5X18X1.6				1
5	26029900	SPEED SLOWING LEVER	FOR MB-373NS			1
6	26030908	SPEED SLOWING LEVER	FOR MB-377NS			1
7	26031005	FITTING PLATE	FOR MB-377NS			1
8	SD0791331SP	HINGE SCREW D= 7.94 H=13.3	FOR MB-373NS			1
9	SD0710701SH	HINGE SCREW	FOR MB-377NS			1
10	26030106	FRICTION PLATE HOLDER				1
11	B2640372000	SPEED SLOWING FRICTION PLATE				1
12	B3211232000	POSITIONING PIN				2
13	NS6110310SP	NUT 11/64-40				1
14	26028803	STOP MOTION TRIPPING LEVER CAM	FOR MB-373NS			1
15	B26183720A0B	STOP MOTION TRIPPING LEVER ASM	FOR MB-373NS			1
16	SM6082502TP	SCREW M8 L=25		*		1
17	B26213720B0	STOP MOTION CAN ASM.	FOR MB-373NS			1
18	SS8150912TH	SCREW 15/64-28 L=9		*		2
19	B2623372000	STOP MOTION CAM SHOE	FOR MB-373NS	*		1
20	B2623372000	STOP MOTION CAM SHOE		*		1
21	B2624372000	SCREW FOR STOP MOTION CAM SHOE		*		1
22	B2625372000	STOP MOTION CAM KNOB		*		1
23	B2626372000	SPRING		*		1
24	SD0481451SP	HINGE SCREW D= 4.80 H=14.5		*		1
25	SD0790431SP	HINGE SCREW D= 7.94 H= 4.3	FOR MB-377NS			1
26	B2629372000	STITCH SELECTING SPUR GEAR, MI				1
27	26029306	INTERMEDIATE GEAR SHAFT				1
28	SS8151150TP	SCREW 15/64-28 L=10.5				2
29	B2630372000A	GEAR,LARGE				1
30	B2631372000	SCREW				1
31	B2632372000A	ROLL				1
32	B2642372000	STITCH ADJUSTING LEVER				1
33	26029801	SPEED SLOWING FRICTION WHEEL				1
34	26030700	THREAD BIND NOTCH	FOR MB-377NS			1
35	26030809	SPACER	FOR MB-377NS			1
36	SS6090560TP	SCREW 9/64-40 L=4.5	FOR MB-377NS			2
37	SS7110840SP	SCREW 11/64-40 L=7.8	FOR MB-377NS			2
38	SD0800341SP	HINGE SCREW D=8 H=3.4	FOR MB-377NS			1
39	B2618377000	STITCH ADJUSTING ARM	FOR MB-377NS			1
40	SM6061602TN	SCREW M6 L=16	FOR MB-377NS			1
41	26029207	STITCH ADJUSTING ROLLER	FOR MB-377NS			1
42	B26213770B0	STITCH ADJUSTING CAM SET	FOR MB-377NS			1
43	B26213770A0	STITCH ADJUSTING CAM ASM.	FOR MB-377NS	*		1
44	SD0600361SP	HINGE SCREW D=6 H=3.6				1

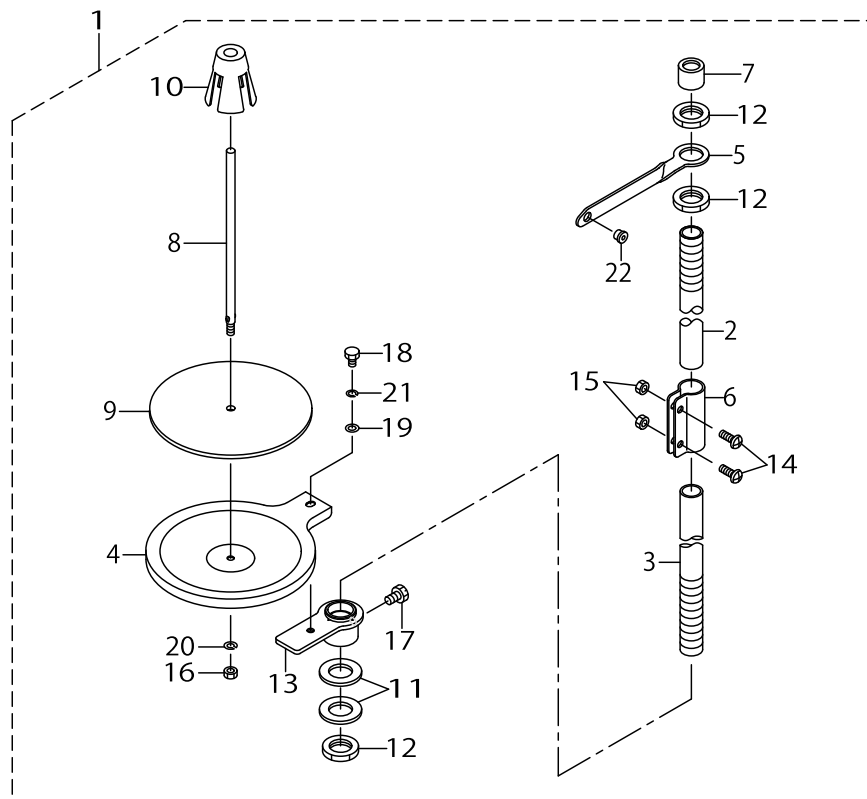
THREAD BIND NOTCH COMPONENTS (FOR MB-377NS)



THREAD BIND NOTCH COMPONENTS (FOR MB-377NS)

No.	Parts No.	Parts name	Remarks	Level	Cons	Qty
1	26016709	THREAD BIND LEVER				1
2	26016600	CONNECTING PLATE, LARGE				1
3	SD0640321SP	HINGE SCREW D= 6.35 H= 3.2				1
4	26016501	CONNECTING PLATE, SMALL				1
5	WP0430800SD	WASHER M4				2
6	SS7090540TP	SCREW 9/64-40 L=5				2
7	SD0720331SP	HINGE SCREW D= 7.24 H= 3.3				1
8	D2509282A00	WORK CAMP FOOT BALL LINK				1
9	26016808	THREAD BIND LINK SHAFT				2
10	WP0621026SP	WASHER 6.2X9.5X1				2
11	RC0560711KP	RETAINING RING				2
12	NS6110310SP	NUT 11/64-40				1
13	B27093770A0	THREAD BIND ARM ASM.				1
14	NS6110310SP	NUT 11/64-40				1
15	26017400	THREAD BIND ARM SPRING RAC				1
16	B2711377000	SPRING				1
17	SD0801021TP	HINGE SCREW D= 8 H=10.2				1
18	26017301	ROLLER				1
19	SD0460571CP	HINGE SCREW D=4.6 H=5.7				1
20	NS6110310SP	NUT 11/64-40				1

THREAD STAND COMPONENTS



THREAD STAND COMPONENTS

No.	Parts No.	Parts name	Remarks	Level	Cons	Qty
1	26008359	THREAD STAND ASM.				1
2	22930408	SPOOL REST ROD, UPPER		*		1
3	22930309	SPOOL REST ROD, LOWER		*		1
4	26008300	THREAD STAND HOLDER PLATE		*		1
5	26008409	THREAD RAISING THREAD GUIDE A		*		1
6	22931307	SPOOL REST ROD JOINT		*		1
7	22931406	SPOOL REST ROD RUBBER CAP		*		1
8	22931000	SPOOL PIN		*		1
9	22930903	SPOOL REST CUSHION		*		1
10	22931109	SPOOL RETAINER		*		1
11	WP1612616SE	WASHER 16X30X2.6		*		2
12	NM6160511SE	NUT M16X1.5		*		3
13	26008557	SPOOL REST BRACKET ASM.		*		1
14	SM4051405SE	SCREW M5 L=14		*		2
15	NM6050001SE	NUT M5		*		2
16	NM6050001SE	NUT M5		*		1
17	SM9061080SE	SCREW M6 L=10		*		1
18	SM9050813SE	SCREW M5X0.8 L=8		*		1
19	WP0520656SA	WASHER 5.2X9.5X0.6		*		1
20	WS0510002KN	SPRING WASHER		*		1
21	WS0521010KN	SPRING WASHER 5.2X8.2X1		*		1
22	22931208	THREAD GUIDE		*		1

TABLE & STAND COMPONENTS

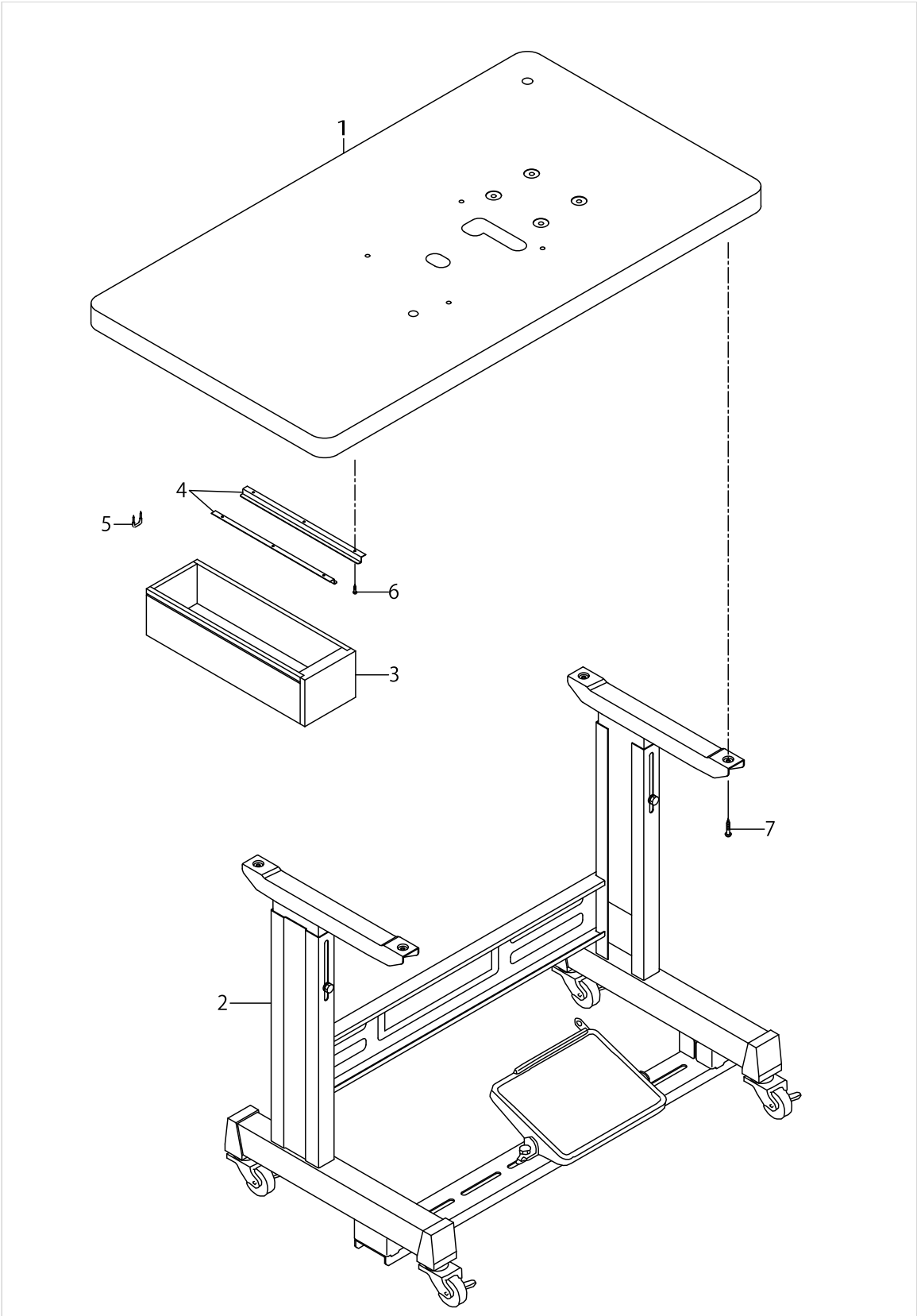
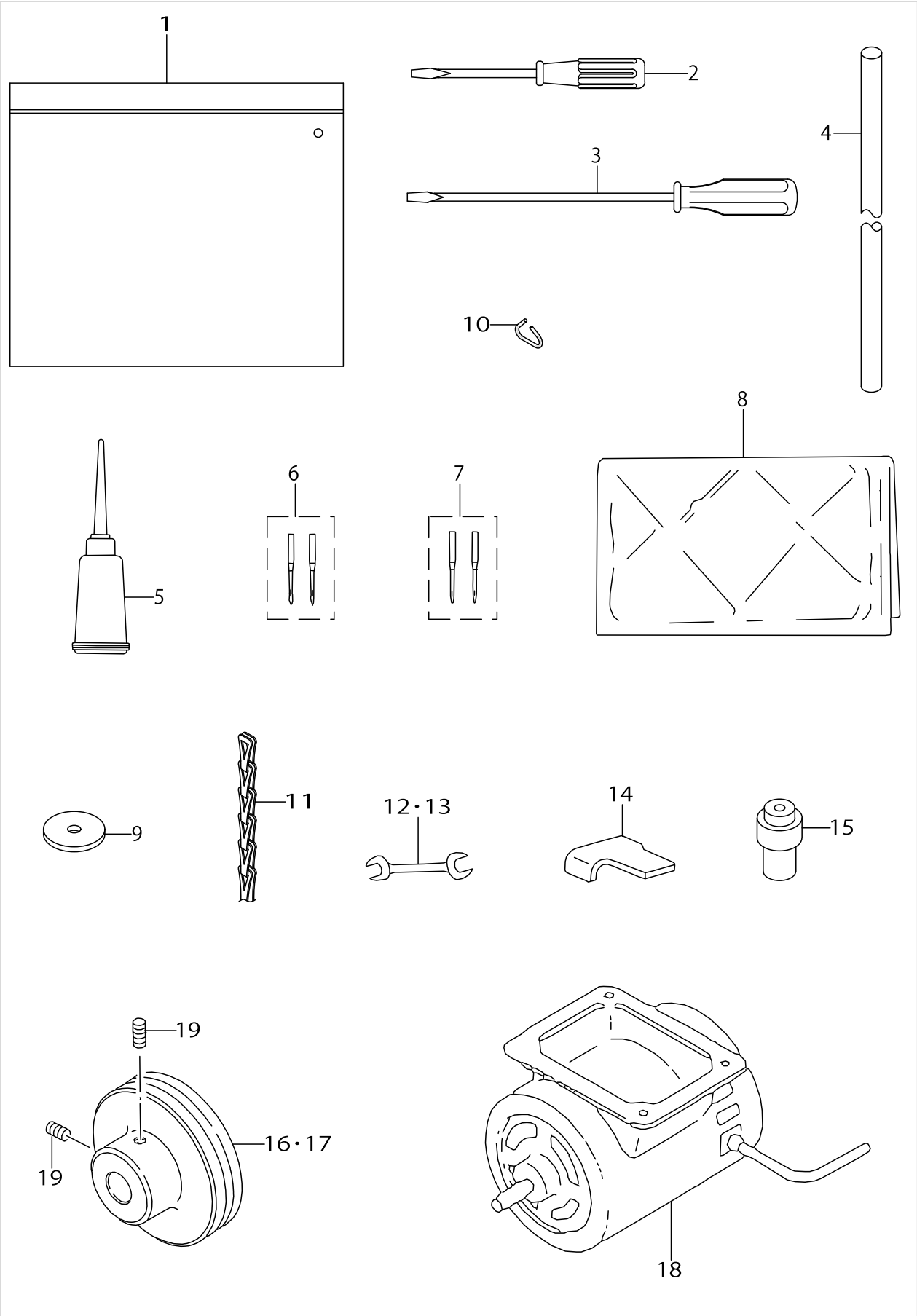


TABLE & STAND COMPONENTS

No.	Parts No.	Parts name	Remarks	Level	Cons	Qty
1	B8201372A0AA	MOTOR TABLE				1
2	11159365	T STAND JUNCTION				1
3	11155108	DRAWER				1
4	11155207	DRAWER SUPPORT				2
5	D8204555D00	DRAWER STOPPER				1
6	SK3311600SE	WOOD SCREW D=3.1 L=16				6
7	SK3483200SE	WOOD SCREW D=4.8 L=32				4

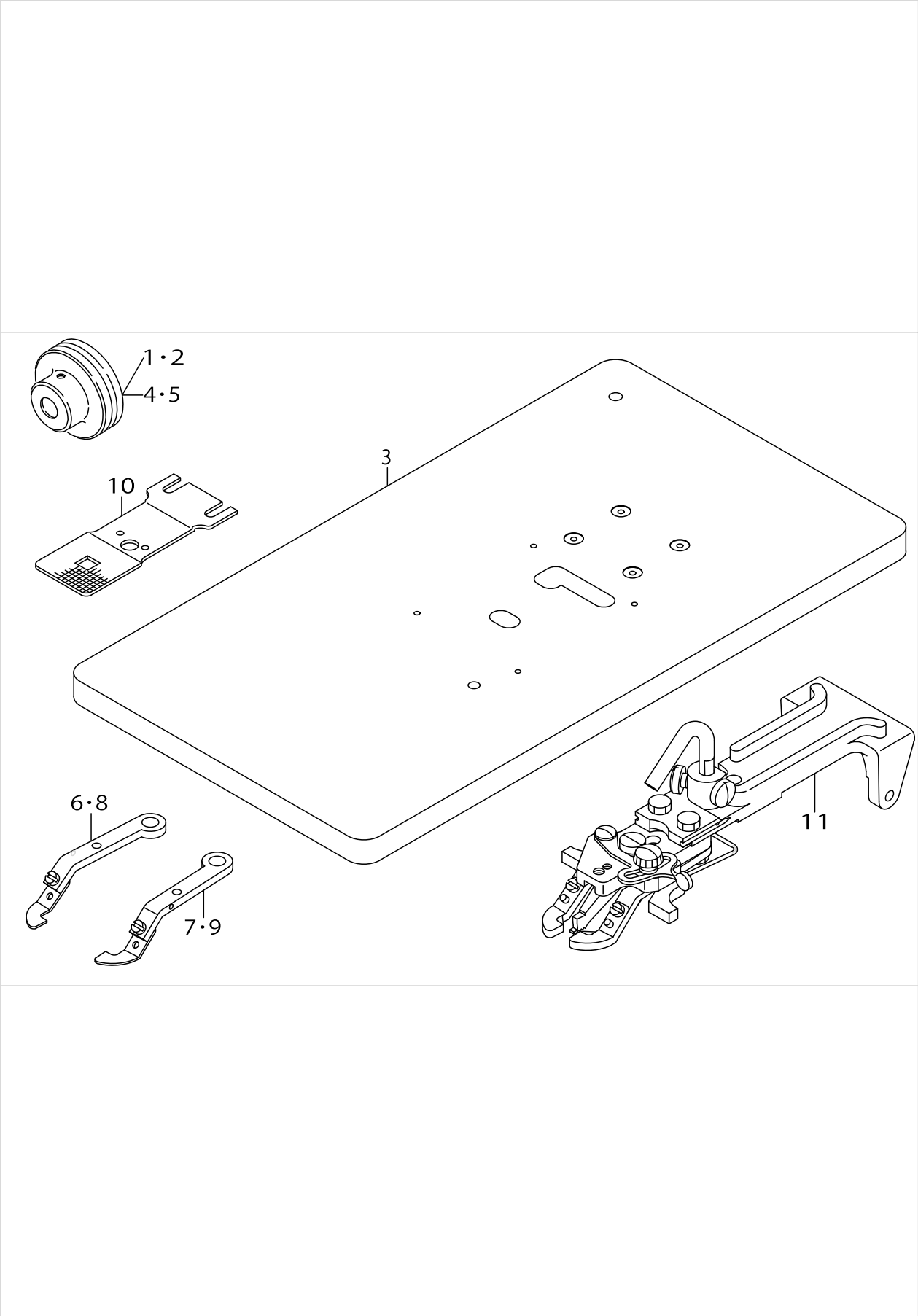
ACCESSORIE PARTS COMPONENTS



ACCESSORIE PARTS COMPONENTS

No.	Parts No.	Parts name	Remarks	Level	Cons	Qty
1	22932800	ACCESSORIE BAG				1
2	22933105	SCREW DRIVER,MIDDLE				1
3	22933006	SCREW DRIVER,LARGE				1
4	B7119372000	ROUND BELT				1
5	J1067000000	OILER				1
6	MTQ700B1602	NEEDLE TQX7 #16-2	FOR MB-373NS			1
7	MTQ100B1602	NEEDLE TQX1 #16-2	FOR MB-377NS			1
8	22933303	VINYL COVER				1
9	B1122372000	RUBBER				4
10	B7125012000	BELT HOOK				2
11	26037903	CHAIN				1
12	26034702	WRENCH (11 X 14)				1
13	B9143372000	WRENCH (7.1 X 8.1)				1
14	B2414373000	GAUGE	FOR MB-373NS			1
15	26038851	CUSHION ASM.				1
16	26035907	MOTOR PULLEY (FOR 50HZ)				1
17	B7103372000	MOTOR PULLEY, FOR 60HZ				1
18	MTG4200020S	MOTOR ASM.				1
19	SS8151150TP	SCREW 15/64-28 L=10.5				2

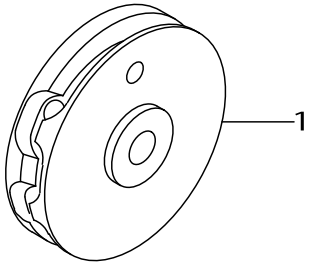
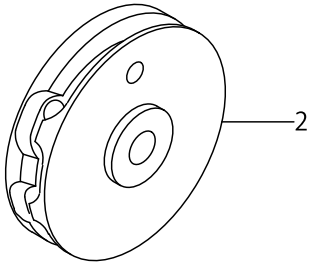
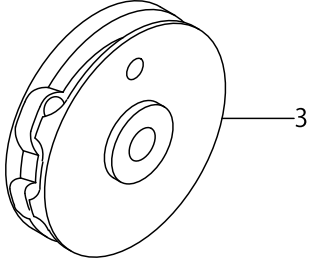
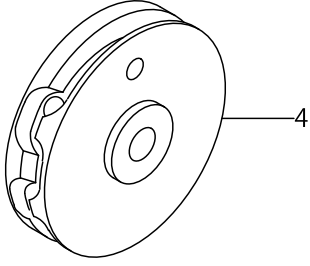
SPECIAL ORDER SPEC COMPONENTS



SPECIAL ORDER SPEC COMPONENTS

No.	Parts No.	Parts name	Remarks	Level	Cons	Qty
1	B710237200J	MOTOR PULLEY (J)				1
2	B710137200J	MOTOR PULLEY (J)				1
3	B8201372A00A	TABLE				1
4	B710237200H	MOTOR PULLEY				1
5	B710137200H	MOTOR PULLEY				1
6	B25563720AA	BUTTON CLAMP JAW LEVER ASM., L				1
7	B25583720AA	BUTTON CLAMP JAW LEVER ASM., R				1
8	D2556372CAA	BUTTON CLAMP JAW LEVER ASM., L				1
9	D2558372CAA	BUTTON CLAMP JAW LEVER ASM., R				1
10	D2529373C00A	FEED PLATE, LARGE BUTTON				1
11	MAZ201010A0	PICK-UP DEVICE ASM. L BUTTON				1

SUBCLASS COMPONENTS

<p>(1)MB-373NS-10</p>  <p>1</p>	<p>(2)MB-373NS-11</p>  <p>2</p>
<p>(3)MB-377NS-10</p>  <p>3</p>	<p>(4)MB-377NS-11</p>  <p>4</p>

SUBCLASS COMPONENTS

No.	Parts No.	Parts name	Remarks	Level	Cons	Qty
1	B2505373C00A	CROSSWISE FEED CAM				1
2	D2506373L00A	LENGTHWISE FEED CAM				1
3	B2505373C00A	CROSSWISE FEED CAM				1
4	B2506377L00A	LENGTHWISE FEED CAM	FOR MB-377NS			1

LIST FOR INFORMATION OF CHANGE (1)

As to the place changed, refer to the corresponding Rev.No.
 When previous parts(Obsoleted part)and new parts(Added parts)are
 not interchangeable with each other:
 In this case,even obsoleted parts(D.)can be ordered with the
 obsoleted part number,so select the parts with changed dates and
 place your orders.

変更箇所は、該当Rev.No.版をご参照ください。
 部品の互換性がない変更の場合は、削除された品番でも、ご注文できます。

29353703
 No.1327-02 Rev.No.

*A:Added parts追加部品/D:Obsoleted parts削除部品/E:Erratum訂正

* Rev. No.	Page 頁	Ref. No.	Parts No. 品番	* Rev. No.	Page 頁	Ref. No.	Parts No. 品番
D 01	2	1	B2547-372-0BA	A 02	2	1	260-25452
D 01	2	2	B2547-377-0A0	A 02	2	2	260-26856
D 01	2	3	B2546-372-000	A 02	2	3	260-25601
D 01	2	7	B2542-372-00A	A 02	2	7	260-25502
D 01	2	10	B2547-372-000	A 02	2	10	260-25403
D 01	2	12	B2549-372-000	A 02	2	12	260-25809
D 01	2	13	B2548-372-000	A 02	2	13	260-25700
D 01	2	14	B2553-372-000	A 02	2	14	260-26005
D 01	2	15	B2552-372-000	A 02	2	15	260-25908
D 01	2	17	B2555-372-000	A 02	2	17	260-26104
D 01	2	18	B2556-372-000	A 02	2	18	260-26203
D 01	2	22	B2557-372-000	A 02	2	22	260-26302
D 01	2	23	B2558-372-000	A 02	2	23	260-26401
D 01	2	26	B2560-372-000	A 02	2	26	260-26609
D 01	2	28	B2561-372-000	A 02	2	28	260-26708
D 01	2	30	B2546-377-000	A 02	2	30	260-26807
D 01	2	31	B2540-372-000	A 02	2	31	260-25205
D 01	2	36	B2545-372-000	A 02	2	36	260-27102
D 01	4	3	B3149-123-A00	A 02	4	3	260-21600
D 01	4	10	B3108-372-000	A 02	4	10	260-31203
D 01	4	11	B3109-377-0A0	A 02	4	11	260-31351
D 01	4	45	B1103-372-000	A 02	4	45	260-10504
D 01	4	51	B3120-372-000	A 02	4	51	260-37200
D 01	4	55	139-43204	A 02	4	55	260-37408
D 01	4	57	B3121-372-000	A 02	4	57	260-37309
D 01	4	58	B3115-372-000	A 02	4	58	260-37101
				A 02	4	62	260-31104
D 01	6	5	B1242-373-000	A 02	6	5	260-15206
D 01	6	9	B1237-373-000	A 02	6	9	260-13805
D 01	6	19	SS-8151150-SP	A 02	6	19	SS-8151150-TP
D 01	6	28	B1234-372-000	A 02	6	28	260-03103
D 01	6	30	B1233-372-000	A 02	6	30	260-15503
D 01	6	35	SS-8151150-SP	A 02	6	35	SS-8151150-TP
D 01	6	43	B1222-372-000	A 02	6	43	260-13102
D 01	6	47	CS-0790721-TH	A 02	6	47	CS-079072A-TH
D 01	8	5	B2035-372-000	A 02	8	5	260-20602

LIST FOR INFORMATION OF CHANGE (2)

*	Rev. No.	Page 頁	Ref. No.	Parts No. 品番	*	Rev. No.	Page 頁	Ref. No.	Parts No. 品番
D	01	8	8	B2037-372-000	A	02	8	8	260-20800
D	01	8	12	B2028-372-000	A	02	8	12	260-20305
D	01	8	15	SD-0790802-SP	A	02	8	15	SD-0790802-TP
D	01	8	17	B2024-372-000-A	A	02	8	17	260-20206
D	01	8	18	B2012-372-000	A	02	8	18	260-19406
D	01	8	21	B2011-372-000	A	02	8	21	260-19307
D	01	8	22	B2010-377-000	A	02	8	22	260-19208
D	01	8	43	B2014-372-000-A	A	02	8	43	260-19505
D	01	8	47	B2005-372-000	A	02	8	47	260-01800
D	01	8	52	B2008-372-000	A	02	8	52	260-19000
D	01	8	57	B2715-377-000	A	02	8	57	260-21105
D	01	8	58	B2716-377-000	A	02	8	58	260-21204
D	01	8	60	B2040-373-000	A	02	8	60	260-21501
					A	02	8	63	SM-9061403-CP
					A	02	8	64	NM-6060001-SE
D	01	10	5	B2524-372-000	A	02	10	5	260-24604
D	01	10	6	B2525-373-N00	A	02	10	6	260-24901
D	01	10	7	B2526-372-000	A	02	10	7	260-24703
D	01	10	9	B2518-372-000-A	A	02	10	9	260-24109
D	01	10	11	B2521-372-000	A	02	10	11	260-24307
D	01	10	12	B2519-372-000	A	02	10	12	260-24208
D	01	10	13	B2528-372-000-A	A	02	10	13	260-24802
D	01	10	17	B2515-372-000	A	02	10	17	260-24000
D	01	10	19	B2507-372-000	A	02	10	19	260-23200
D	01	10	22	B2508-372-000	A	02	10	22	260-23309
D	01	10	26	B2564-372-000	A	02	10	26	260-27300
D	01	10	30	B2503-372-000	A	02	10	30	260-22509
D	01	10	32	B2519-372-000	A	02	10	31	260-24208
D	01	10	35	B2501-372-000-A	A	02	10	35	260-04101
D	01	10	38	B2502-372-000	A	02	10	38	260-22400
D	01	10	39	B2509-372-000-A	A	02	10	39	260-23408
					A	02	10	41	WP-0501016-SD
D	01	12	2	B1407-372-000	A	02	12	2	260-18101
D	01	12	3	B1408-372-000	A	02	12	3	260-18200
D	01	12	6	B4419-372-000	A	02	12	6	260-33407
D	01	12	7	B4418-372-000	A	02	12	7	260-33308
D	01	12	18	SS-8151150-SP	A	02	12	18	SS-8151150-TP
D	01	12	25	WP-0480856-SP	A	02	12	25	WP-0371026-SD
D	01	12	36	B2403-373-000-A	A	02	12	36	260-21808
D	01	12	44	B2405-373-000	A	02	12	44	260-22004
D	01	12	46	B2401-373-000	A	02	12	46	260-21709
					A	02	12	52	NS-6090310-SP
					A	02	12	53	WP-0330501-SB
					A	02	12	54	SM-6030402-TP
D	01	13	7	B1201-373-000	A	02	13	7	260-03004
D	01	13	10	B1207-372-000	A	02	13	10	260-12708
D	01	13	26	B1223-372-000	A	02	13	26	260-13201

HOW TO MAKE USE OF THIS PARTS LIST

1.Explanation of codes

1)"*"mark.....means this part is changed from the previous parts book.

As to the details of the change, refer to the "List for information of change".

2)"#01".....refer to "Note" explanation at bottom of page.

2.Codes on the "Qty" column

- Each numeral indicates the number of parts required.
- "0.1" and "2.5" indicate the length (in meters) of the respective parts.

3.Parentheses mean that the corresponding part is a subpart that constructs an assembly part.

4.Dotted lines on the Figures indicate assembly parts.

1."注記"欄の記号説明

1) "*"印.....前回のパーツブックに比較して今回変更された部品を意味します。

変更内容は、"変更情報リスト"を参照してください。

2) "#01".....ページ下の"注記"の説明を参照してください。

2.数量欄の数字は、個数を表し、0.1、2.5等の数値は、長さ（単位メートル）を表します。

3.数量欄の（ ）は、組部品を構成している子部品であることを意味します。

4.イラストページの-----枠は、組構成であることを意味します。

NUMERICAL INDEX OF PARTS

PART NO	PAGE	REF NO.	PART NO	PAGE	REF NO.	PART NO	PAGE	REF NO.
10004109	4	19	26011502	4	41	26021105	14	57
11155108	34	3	26011601	4	34	26021204	14	58
11155207	34	4	26011700	4	43	26021402	12	44
11159365	34	2	26011809	4	35	26021501	14	60
13737507	6	61	26011908	4	26	26021600	4	3
17848458	4	29	26012005	4	22	26021709	18	46
22921407	12	27	26012104	4	20	26021808	18	36
22930309	32	3	26012401	22	2	26022004	18	44
22930408	32	2	26012708	22	10	26022202	18	30
22930903	32	9	26013003	8	36	26022400	16	38
22931000	32	8	26013102	8	43	26022509	16	30
22931109	32	10	26013201	22	26	26022608	4	30·31
22931208	32	22	26013805	8	9	26022707	4	30·31
22931307	32	6	26015206	8	5	26023200	16	19
22931406	32	7	26015305	8	34	26023309	16	22
22932800	36	1	26015503	8	30	26023408	16	39
22933006	36	3	26016501	30	4	26024000	16	17
22933105	36	2	26016600	30	2	26024109	16	9
22933303	36	8	26016709	30	1	26024208	16	31
26000455	12	16	26016808	30	9	26024307	16	11
26000653	18	27	26017301	30	18	26024604	16	5
26000950	12	6	26017400	30	15	26024703	16	7
26001164	4	5	26017509	24	5	26024802	16	13
26001305	4	7	26017707	24	6	26024901	16	6
26001404	4	6	26017806	24	11	26025106	16	24
26001560	12	14	26017905	24	12	26025205	2	31
26001800	12	47	26018002	24	13	26025403	2	10
26001909	12	23	26018101	18	2	26025452	2	1·2
26002006	18	41	26018200	18	3	26025502	2	7
26002907	26	3	26018408	24	21	26025601	2	3·30
26003004	22	7	26018507	24	22	26025700	2	13
26003103	8	28	26018606	24	20	26025809	2	12
26003301	18	12	26018705	24	17	26025908	2	15
26003608	6	49	26019000	14	52	26026005	2	14
26004101	16	35	26019109	12	37	26026104	2	17
26005157	12	38	26019208	12	22	26026203	2	18
26008300	32	4	26019307	12	21	26026302	2	22
26008359	32	1	26019406	12	18	26026401	2	23
26008409	32	5	26019505	12	43	26026609	2	26
26008557	32	13	26019604	14	55	26026708	2	28
26010504	4	45	26020206	12	17	26026807	2	3·30
26010603	4	27	26020305	12	12	26026856	2	1·2
26011205	4	25	26020602	12	5	26026906	2	34
26011304	4	42	26020701	12	9	26027003	2	35
26011403	6	48	26020800	12	8	26027102	2	36

NUMERICAL INDEX OF PARTS

PART NO	PAGE	REF NO.	PART NO	PAGE	REF NO.	PART NO	PAGE	REF NO.
26027300	16	26	26037903	36	11	B2017372000	12	40
26027409	2	38	26038752	4	1	B2019372000	12	31
26027508	26	10·11	26038851	36	15	B20193720AA	12	25
26027706	26	12	B1104372A00	4	38·39	B2020372000	12	32
26027805	26	1	B1104372B00	4	38·39	B2021372000	12	28
26027904	26	6	B1122372000	36	9	B2029372000	12	11
26028001	26	25	B1161227000	16	36	B2034372000	12	7
26028100	26	26	B1202372000	22	5	B2038372000	14	62
26028209	26	27	B1203372000	22	1	B2404373R00	18	29
26028506	26	17	B1205372000	22	4	B24063730A0	8	26
26028803	28	14	B1206372000	22	9	B2410373000	8	24
26029009	26	10·11	B1208372000	22	13	B2412373000	18	34
26029207	28	41	B12103720A0	22	14	B2414373000	36	14
26029306	28	27	B1211372000	22	15	B2505373000A	16	37
26029801	28	33	B1212372000	22	16	B2505373C00A	40	3
26029900	28	5	B1213372000	22	17	B2506373000A	16	1
26030106	28	10	B1215372A00	8	42	B2506377L00A	40	4
26030601	26	8	B1215372B00	22	23	B2510372000A	16	34
26030700	28	34	B1216372000	22	25	B25113720A0	16	20
26030809	28	35	B12173720A0	22	27	B2512372000	16	21
26030908	28	6	B1220372000	8	2	B2513372000	16	15
26031005	28	7	B1221372000	8	44	B2522373000A	16	29
26031104	6	62	B12243720A0	8	40	B2523372000	16	33
26031203	4	10	B1228372000	8	32	B2529373000	16	2
26031302	4	12	B12303720A0	8	10	B2541372000	2	32
26031351	4	11	B1232372000	8	12	B25473720C0	2	8
26031401	4	13	B1235373000	8	8	B25553720A0	2	16
26031500	4	14	B1236373000	8	6	B25563720AA	38	6·8
26031609	4	15	B1239372000	8	46	B25573720A0	2	21
26031708	4	16	B1241373000	8	14	B25583720AA	38	7·9
26031807	24	7	B12413730B0	8	13	B2559372000	2	24
26031906	24	8	B12413770A0	8	21	B2563372000	16	25
26032003	4	4	B12413770B0	8	20	B2602372000A	26	5
26032300	18	17	B1243372000	22	8	B2608280000	26	7
26032607	18	10	B1246372000	22	3	B2611372000	26	28
26033308	18	7	B1402372000	24	10	B2612372000	26	21
26033407	18	6	B1409372000B	24	14	B2614372000	26	20
26033605	20	51	B1419372000	24	25	B2616372000	26	23
26033704	4	24	B1421372000	12	2	B26183720A0B	28	15
26034702	36	12·13	B14243720A0	24	18	B2618377000	28	39
26035907	36	16·17	B1632180000	18	31	B26213720B0	28	17
26037101	6	58	B2006372000	14	48	B26213770A0	28	43
26037200	6	51	B2007372000	14	53	B26213770B0	28	42
26037309	6	57	B2015372000	12	42	B2623372000	28	20
26037408	6	55	B2016372000	12	41	B2624372000	28	21

NUMERICAL INDEX OF PARTS

PART NO	PAGE	REF NO.	PART NO	PAGE	REF NO.	PART NO	PAGE	REF NO.
B2625372000	28	22	D2506373L00A	40	2	SD0481451SP	28	24
B2626372000	28	23	D2509282A00	30	8	SD0550181SP	2	11
B2629372000	28	26	D2529373B00A	16	40	SD0550301SP	2	9
B2630372000A	28	29	D2529373C00A	38	10	SD0600095TH	8	27
B2631372000	28	30	D2556372CAA	38	6·8	SD0600271SP	4	40
B2632372000A	28	31	D2558372CAA	38	7·9	SD0600361SP	28	44
B2638372000A	28	3	D8204555D00	34	5	SD0601021SP	6	54
B2640372000	28	11	J1067000000	36	5	SD0640211SP	18	23
B2642372000	28	32	MAZ201010A0	38	11	SD0640241SP	8	11
B2643372000	28	2	MTG4200020S	36	18	SD0640321SP	30	3
B2702377000	8	23	MTQ100B1600	24	1·26	SD0640323TP	18	37
B27033770A0	8	22	MTQ100B1602	36	7	SD0640391TP	2	27
B27093770A0	30	13	MTQ700B1600	24	1·26	SD0640481SP	16	32
B2711377000	30	16	MTQ700B1602	36	6	SD0640481SP	18	22
B3114232000	14	56	MTQ700B1800	24	2·3	SD0640961SP	16	16
B31153720A0	6	50	MTQ700B2000	24	2·3	SD0641322TP	20	47
B3116125000	12	26	NM6050001SE	32	16	SD0680271SP	26	15
B3125012000	12	39	NM6050001SP	18	33	SD0710701SH	28	8·9
B3132012000	12	29	NM6060001SE	14	64	SD0720331SP	30	7
B3211232000	28	12	NM6160511SE	32	12	SD0790311TP	18	42
B35033720A0A	4	33	NS6080210SP	12	4	SD0790402TP	18	38
B4401372000	18	14	NS6080340SP	12	45	SD0790431SP	28	25
B4406372000C	18	20	NS6090310SP	20	52	SD0790802TP	12	15
B4408372000	18	19	NS6110310SP	6	60	SD0791051SP	16	27
B4411372000	18	9	NS6110310SP	28	13	SD0791271SP	12	3
B4412373000A	18	1	NS6110310SP	30	20	SD0791331SP	28	8·9
B44163770A0	20	48	NS6110420SP	18	43	SD0791503SP	12	13
B4417372000	18	26	NS6120630SP	16	14	SD0800341SP	28	38
B4420373000	20	50	NS6150310SP	18	40	SD0801021TP	30	17
B710137200H	38	4·5	NS6150310SP	26	18	SD0950806SH	24	16
B710137200J	38	1·2	NS6150430SP	2	33	SD1127321SP	28	1
B710237200H	38	4·5	NS6150430SP	22	22	SK3311600SE	34	6
B710237200J	38	1·2	NS6160520SP	12	33	SK3483200SE	34	7
B7103372000	36	16·17	NS6160520SP	16	8	SM4051405SE	32	14
B7119372000	36	4	NS6620310SP	18	39	SM6030402TP	20	54
B7125012000	36	10	NS6660511SP	2	37	SM6061002TP	18	28
B8133019000	26	24	NS6680410SP	18	35	SM6061602TN	28	40
B8201372A00A	38	3	NS6680410SP	26	9	SM6082502TP	28	16
B8201372A0AA	34	1	PS0200062KH	6	59	SM6083042CH	4	23
B9143372000	36	12·13	PS0300162KH	12	34	SM9050813SE	32	18
CM3002001B1	4	21	RC0560711KP	30	11	SM9061003CP	26	19
CM500200001	22	29	RE0300000K0	4	8	SM9061080SE	32	17
CS079072ATH	8	47	RE0320000K0	4	17	SM9061403CP	14	63
CS0950816SH	18	15	SD0402001TP	12	10	SM9061403CP	24	15
CS1111019SH	8	37	SD0460571CP	30	19	SS1110710SP	8	7

NUMERICAL INDEX OF PARTS

PART NO	PAGE	REF NO.	PART NO	PAGE	REF NO.
SS2110920TP	8	1	SS8660512TP	8	39
SS2110920TP	24	19	SS8660612TP	8	41
SS4090415SP	14	61	SS8660612TP	18	13
SS4090615SP	16	18	SS8660612TP	22	28
SS4110715SP	6	52	SS8660612TP	24	23
SS4110815SP	4	37	SS8660942TP	24	24
SS4120615SP	16	28	SS8681412TP	16	3
SS4120915SP	4	18	SS8701042TP	22	19
SS4150915SP	12	46	SS8701782TP	22	20
SS6090560TP	28	36	SS9120643TP	16	4
SS6091210TP	24	9	SS9150860SP	26	22
SS6120930TP	12	35	SS9621413SP	2	5
SS6121050SP	14	51	WP0330501SB	20	53
SS6121610TP	14	50	WP0371016SD	14	54
SS6121610TP	18	21	WP0371026SD	18	25
SS6151040SP	26	4	WP0430800SD	30	5
SS6152440SP	22	11	WP0450801SD	6	53
SS6660712TP	8	45	WP0480856SP	14	49
SS7080310SP	8	25	WP0501016SD	2	6
SS7080510TP	24	4	WP0501016SD	12	36
SS7090410SP	2	25	WP0501016SD	16	41
SS7090540TP	14	59	WP0510516SD	18	32
SS7090540TP	30	6	WP0520656SA	32	19
SS7090620TP	10	48	WP0621026SP	22	12
SS7110340SP	4	9	WP0621026SP	30	10
SS7110840SP	4	32	WP0703516SP	18	24
SS7110840SP	8	4	WP0704016SP	18	8
SS7110840SP	28	37	WP0704516SP	20	49
SS7111410TP	18	45	WP0740516SP	6	56
SS7120640SP	4	36	WP0751576SD	18	4
SS7150940SP	2	29	WP0850002SP	28	4
SS8110310SP	8	33	WP0851846SC	18	5
SS8110410TP	8	29	WP1612616SE	32	11
SS8110410TP	18	16	WS0510002KN	32	20
SS8110750SP	22	6	WS0521010KN	32	21
SS8150410TP	8	31	WS0650389KP	4	47
SS8150710TP	4	46	WS0651310KP	22	21
SS8150912TH	28	18			
SS8151150SP	22	24			
SS8151150TP	8	35			
SS8151150TP	18	18			
SS8151150TP	28	28			
SS8151150TP	36	19			
SS8151570SP	26	13			
SS8152030SP	16	23			